

# Agri-Jets

Roof Mounted Ventilation Units



hydor

# Roof Mounted Agri-Jet

## Roof Mounted Ventilation Units



### Features & Benefits

The Agri-Jet Roof Mounted unit is a high velocity jet extraction unit for on or off-ridge installations. The design of the inlet ensures that it operates at high efficiency by maximising air flow and operating at low back pressure - minimising operating costs.

Stale air is expelled through the cowl to a height of approximately 60 feet, ensuring that any dust, moisture, ammonia and smells are dissipated as they leave the building.



- Five sizes 450mm, 500mm, 630mm, 710mm, 760mm.
- High efficiency fan easily accessible for cleaning and maintenance.
- Minimal back pressure ensures maximum fan efficiency.

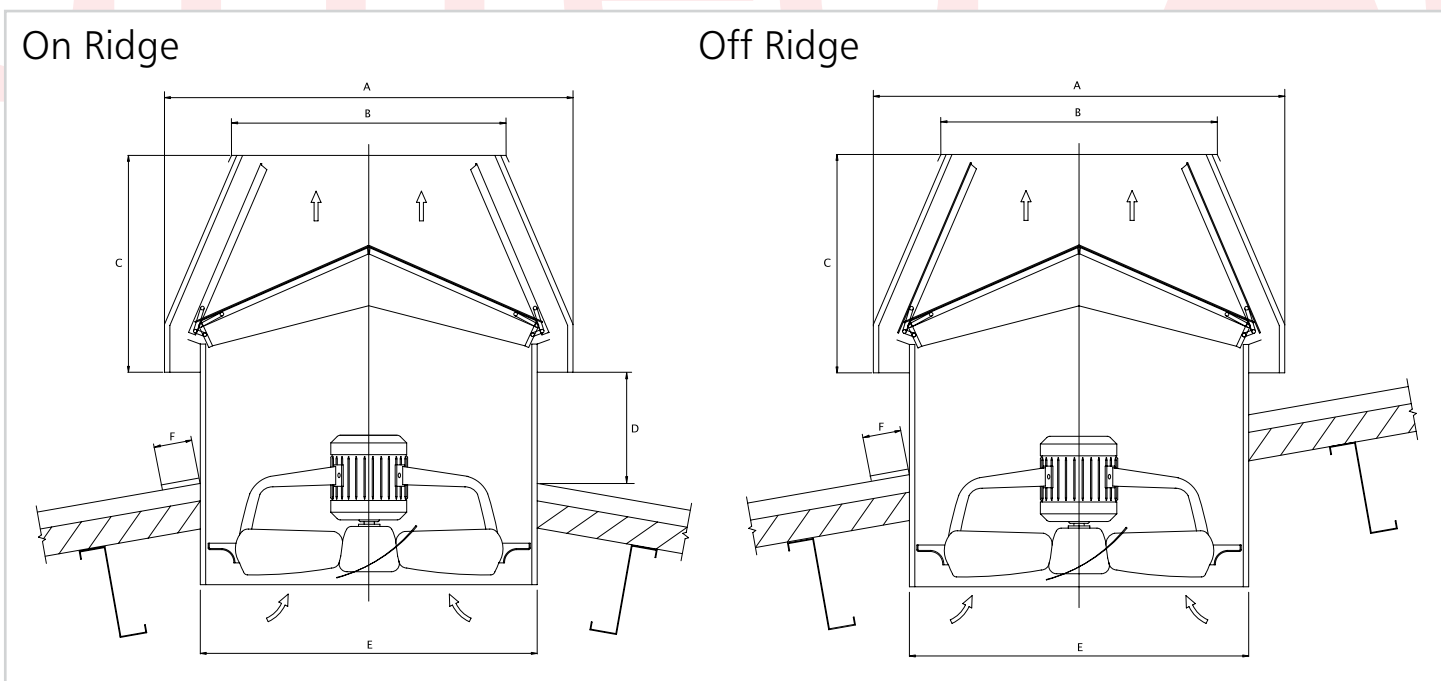


- High velocity exhaust jet of approximately 60 feet ensures no roof dust deposit.
- Plastic thermal barrier reduces noise levels and in-house condensation.
- Light Baffle boards to diffuse the light.



- Supplied as ready-assembled units for On-ridge or Off-ridge installation.
- Low Silhouette design provides tidy and unobtrusive appearance.
- Roof mounted units can be opened using an optional cable system as a fail safe contingency.

# Dimensional Data



| Product Code | A   | B   | C   | D   | E   | F   |
|--------------|-----|-----|-----|-----|-----|-----|
| HRU450       | 648 | 610 | 375 | 182 | 553 | 300 |
| HRU500       | 689 | 605 | 395 | 191 | 594 | 300 |
| HRU630       | 800 | 580 | 460 | 213 | 705 | 300 |
| HRU710       | 889 | 566 | 510 | 231 | 794 | 300 |
| HRU760       | 953 | 610 | 563 | 245 | 858 | 300 |

# Performance & Electrical Data

| Product Code | Airflow m <sup>3</sup> /s @ Static Pressure Pa. |       |       |       |       | Speed (r/min) | Motor Electrical Data 220-240V/1Ph/50Hz |         |            | Capacitor uF | Sound Level dBA @ 3m |
|--------------|---|-------|-------|-------|-------|---------------|---|---------|------------|--------------|----------------------|
|              | 0   | 25    | 50    | 75    | 100   |               | Power Watts                             | FL Amps | Start Amps |              |                      |
| HRU450/4-1   | 1.692   | 1.572 | 1.422 | 1.267 | 1.021 | 1350          | 280                                     | 1.9     | 4.0        | 8            | 60                   |
| HRU500/4-1   | 2.411   | 2.350 | 2.261 | 2.131 | 1.981 | 1350          | 500                                     | 3.0     | 6.0        | 10           | 62                   |
| HRU630/6-1   | 3.303   | 3.111 | 2.944 | 2.742 | 2.181 | 900           | 390                                     | 2.9     | 7.6        | 14           | 60                   |
| HRU710/6-1   | 4.242   | 4.100 | 3.944 | 3.731 | 3.306 | 900           | 550                                     | 3.7     | 7.6        | 16           | 61                   |
| HRU760/6-1   | 4.847   | 4.672 | 4.481 | 4.261 | 3.942 | 900           | 670                                     | 5.3     | 12.0       | 28           | 63                   |

| Product Code | Airflow m <sup>3</sup> /s @ Static Pressure Pa. |       |       |       |       | Speed (r/min) | Motor Electrical Data 380-420V/3Ph/50Hz |         |            | Sound Level dBA @ 3m |
|--------------|---|-------|-------|-------|-------|---------------|---|---------|------------|----------------------|
|              | 0   | 25    | 50    | 75    | 100   |               | Power Watts                             | FL Amps | Start Amps |                      |
| HRU450/4-3   | 1.692   | 1.572 | 1.422 | 1.267 | 1.021 | 1350          | 280                                     | 1.0     | 4.0        | 60                   |
| HRU500/4-3   | 2.411   | 2.350 | 2.261 | 2.131 | 1.981 | 1350          | 500                                     | 1.2     | 4.4        | 62                   |
| HRU630/6-3   | 3.303   | 3.111 | 2.944 | 2.742 | 2.181 | 940           | 390                                     | 1.5     | 3.6        | 60                   |
| HRU710/6-3   | 4.242   | 4.100 | 3.944 | 3.731 | 3.306 | 900           | 550                                     | 1.7     | 4.0        | 61                   |
| HRU760/6-3   | 4.847   | 4.672 | 4.481 | 4.261 | 3.942 | 900           | 670                                     | 2.2     | 5.0        | 63                   |

# Accessories

- Propeller Side Guards are available for low mounted applications.
- Removable Light Baffle boards for eliminating light.
- Agri-Jet top section units are available to mount over existing trunks, giving increased air output.



[www.hydor.co.uk](http://www.hydor.co.uk)

Hydor Ltd · Unit 8 · Parkers Close · Downton Business Centre  
Downton · Salisbury · Wiltshire · SP5 3RB  
Tel: +44 (0) 1725 511422 · Fax: +44 (0) 1725 512637  
e-mail: [info@hydor.co.uk](mailto:info@hydor.co.uk) · [www.hydor.co.uk](http://www.hydor.co.uk)

HRU\_EB/21-04-10/01

A member of the



FANS

CONTROLS

SYSTEMS