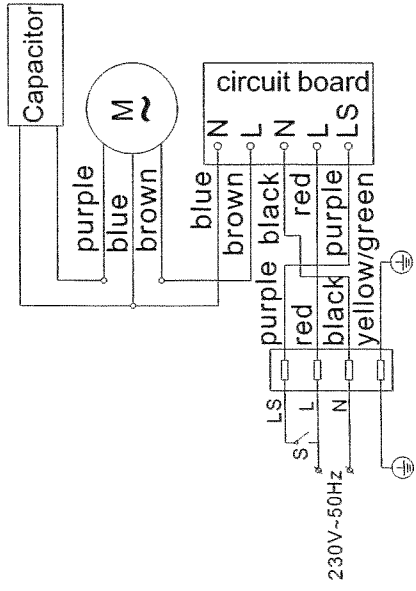


## WIRING DIAGRAM



**WARNING-** Do not cover the air inlet and outlet. Only a suitably qualified and competent person may carry out maintenance after the electrical supply has been isolated.

## GUARANTEE

HYDOR or its agents will, within a period of 1 year from the date of dispatch from their works, repair or, at its option, replace any goods, which are proven to have defects as a result of defective materials or workmanship. The goods MUST be returned to HYDOR, carriage paid, for examination.

Hydor Ltd.

8 Parkers Close, Downton Business Centre  
Downton, Salisbury, Wiltshire  
SP53RB, UK

TEL: +44(0) 1725 511422 FAX: +44(0) 1725 512637 email: [info@hydor.co.uk](mailto:info@hydor.co.uk)

Hydor Ventilation Aust

Pty Ltd

P. O. Box 1075

Mt. Waverley

Vic 3149

TEL: 1300 655 730 FAX: 1300134 319 email: [info@hydor.com.au](mailto:info@hydor.com.au)

Hydor Ventilation SA

11 Ingrid Road

Montague Gardens

Capetown

7441

TEL: +27(0) 21552 1077 FAX: +27(0) 21 552 2797 email: [info@hydor.co.za](mailto:info@hydor.co.za)

# Hydor

CE

## CEILING EXHAUST FAN

### HDC100T

## Installation and Maintenance Instructions

THESE INSTRUCTIONS MUST BE READ FULLY  
BEFORE COMMENCING INSTALLATION

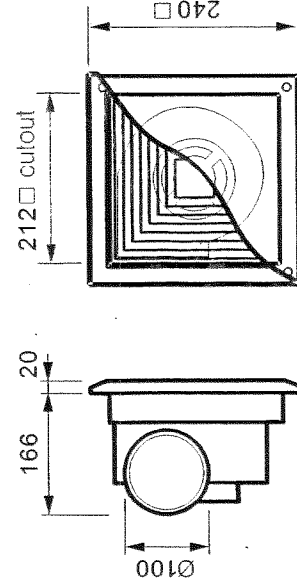
## Specifications

Model	Voltage (V)	Frequency (Hz)	Input Power (W)
HDC100T	230	50	23

### 1.0 GENERAL

- 1.1 It is important these Installation and Maintenance Instructions are fully adhered to.
- 1.2 Full details of the unit supplied are shown on the product nameplate. If in doubt about any detail contact HYDOR or its agents for clarification.
- 1.3 All electrical installation must be carried out by suitably qualified and competent personnel in accordance with all current statutory requirements.
- 1.4 Any declarations made by HYDOR about product installation and safety, are dependent on the fan being used within installations which themselves meet the requirements of the relevant Standards and Directives of your region.
- 1.5 The fan is designed for use in an ambient temperature of up to 40 deg C. It is not suitable for corrosive or explosive atmospheres.
- 1.6 The installer should provide easy access to the fan to facilitate future maintenance.
- 1.7 The installer should ensure the fan is adequately supported.
- 1.8 This product is not intended for use by persons (including children) with reduced physical, sensory or mental capabilities, or lack of experience or knowledge, unless they have been given supervision or instruction concerning its use. Young children should be supervised to ensure that they do not play with the appliance.
- 1.9 Precautions must be taken to avoid back-flow of gases into the room from the open flue of gas or other fuel-burning appliances.
- 1.10 To avoid a hazard, a damaged supply cord must be replaced by the manufacturer.

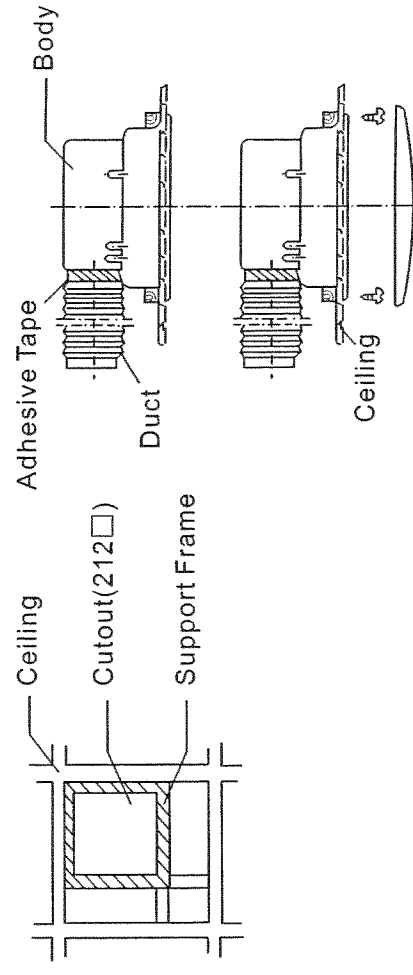
### Dimensions



## 2.0 INSTALLATION

**WARNING-** The fan must be isolated from the power supply during installation and maintenance, and must be earthed in accordance with the local regulations.

- 2.1 Upon receipt, the fan should be visually inspected to check any damage.
- 2.2 Check the details on the rating plate to ensure that the correct power supply (voltage, frequency and phase) is available.
- 2.3 Means for electrical disconnections must be incorporated in the wiring installation in accordance with the relevant wiring and electrical regulations.



## 3.0 START-UP

- 3.1 Before power is supplied to the unit, ensure that the wiring is correct as per the connection diagram. The fan will begin operation 1-3 seconds after supply connection and is fitted with a factory pre-set timer to run-on for approximately 6 minutes.
- 3.2 Check that the motor amperage draw does not exceed the nameplate rating.

## 4.0 FAN MAINTENANCE

- 4.1 Inspection of the fan at least once every 12 months is recommended to ensure that the motor, fan blades, and supporting guards, are clean. Any build up of dust and deposit on the blades or guards should be removed using a non-abrasive cleaner.
- 4.2 All fastenings should be checked for tightness. In addition, all rotating items should be checked.
- 4.3 Bearings are of the 'sealed for life' type and will not need a detailed inspection.