

Installation and Maintenance Instructions

THESE INSTRUCTIONS MUST BE READ FULLY BEFORE COMMENCING INSTALLATION

Code	Supply	Watts	Amps
HHD900RW	220-240V/1Ph/50Hz	900	3.8

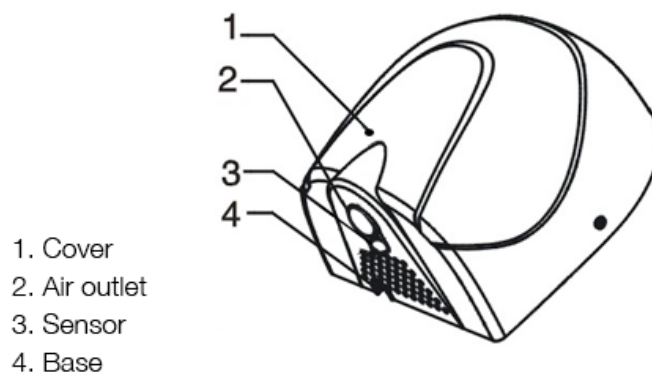


Fig 1

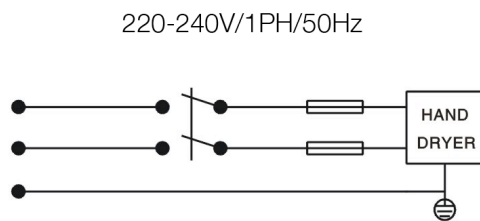
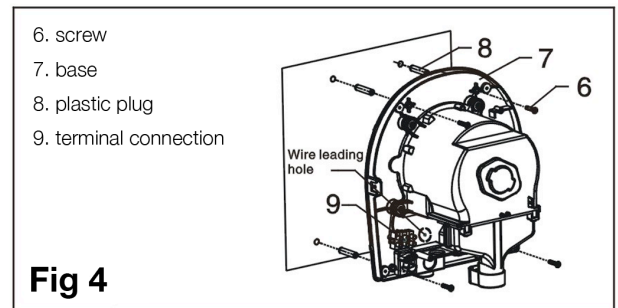
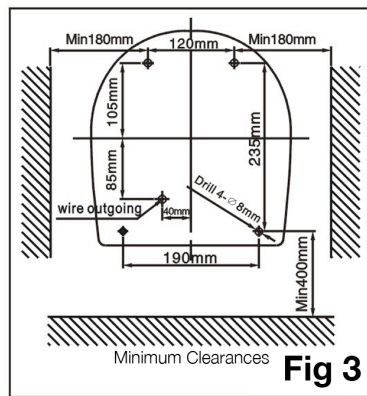
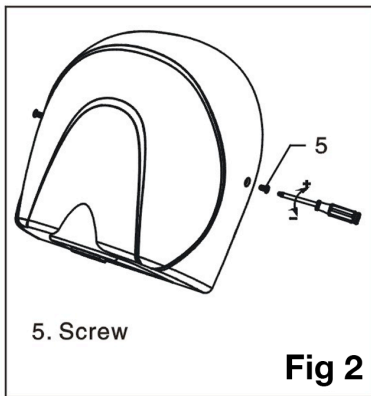
1.0 GENERAL

- 1.1 It is important these Installation and Maintenance Instructions are fully adhered to.
- 1.2 Full details of the unit supplied are shown on the product nameplate. If in doubt about any detail contact HYDOR or its agents for clarification.
- 1.3 All electrical installation must be carried out by suitably qualified and competent personnel in accordance with all current statutory requirements.
- 1.4 Any declarations made by HYDOR about product installation and safety, are dependant on the hand dryer being used within installations which themselves meet the requirements of the relevant Standards and Directives of your region.
- 1.5 The hand dryer must be installed indoors in a dry, sheltered position and is designed for use in an ambient temperature of up to 40 °C. The hand dryer is not suitable for corrosive or explosive atmospheres.
- 1.6 The installer should provide easy access to the hand dryer to facilitate future maintenance.
- 1.7 The installer should ensure the hand dryer is adequately supported.
- 1.8 This product is not intended for use by young children or infirm persons unless they have been adequately supervised by a responsible person to ensure that they can use the product safely. Young children should be supervised to ensure that they do not play with the appliance.

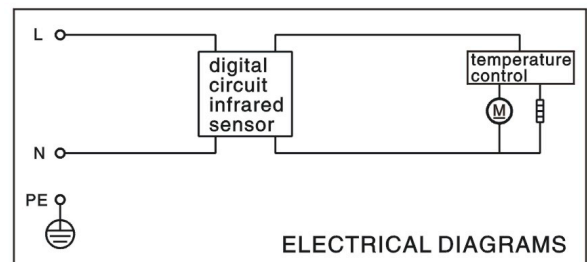
2.0 INSTALLATION

WARNING – The hand dryer is an IP22 electrical appliance and must not be installed in an area where there is any possibility of water ingress. The hand dryer must be isolated from the power supply during installation and maintenance. The hand dryer must be earthed in accordance with the local regulations.

- 2.1 Upon receipt, the hand dryer should be visually inspected to check for any damage.
- 2.2 Check the details on the rating plate to ensure that the correct power supply (voltage, frequency and phase) is available.
- 2.3 An incorrect power supply will lead to permanent damage to the hand dryer.
- 2.4 Refer to Fig. 2 and remove the cover from the base plate after removing the screws (5). Take care not to put any strain on the connecting earth wire between the cover and base plate when removing the cover.
- 2.5 Mark and drill 4-off 8mm diameter by 35mm deep holes per Fig. 3 and the supplied Installation Template.
- 2.6 Attach the base plate to the wall using the screws and plugs provided. Refer to Fig. 4.
- 2.7 Refer to the appropriate wiring diagram. Ensure that all earth connections are made.
- 2.8 Means for electrical disconnection must be incorporated in the wiring installation in accordance with the relevant wiring and electrical regulations.
- 2.9 Fit the cover to the base plate using the screws (5) per Fig. 2. Ensure that the earth wire is securely connected to the cover.



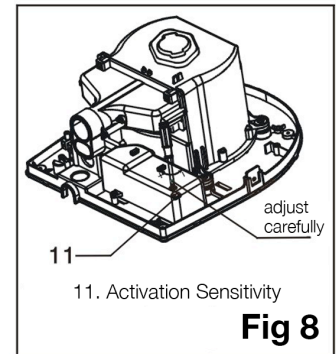
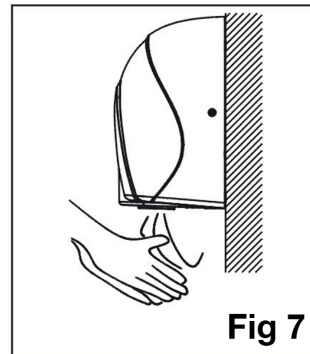
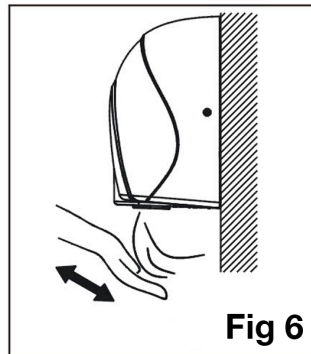
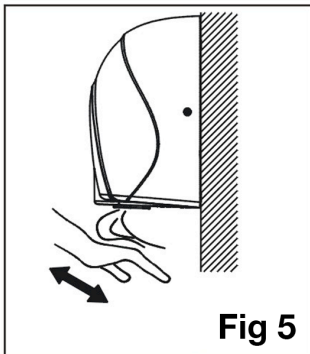
External Wiring Diagram



Internal Wiring Diagram

3.0 START-UP

- 3.1 Before power is supplied to the unit, ensure that the wiring is correct as per the connection diagram.
- 3.2 The infrared sensor will automatically activate the hand dryer if movement is detected up to 110mm from the sensor. Refer to Figures 5, 6 and 7. The hand dryer will stop operating once movement is no longer detected. The hand dryer will also stop operating after one minute of continuous operation.
- 3.3 The activation sensitivity can be adjusted per Fig. 3. The activation sensitivity is factory set and should not require any adjustment.
- 3.4 Check that the motor amperage draw does not exceed 4 Amps.



4.0 FAN MAINTENANCE

- 4.1 Inspection of the hand dryer at least once every 12 months is recommended to ensure that the motor, fan blades, and supporting guards, are clean. Any build up of dust and deposits on the blades or guards should be removed using a non-abrasive cleaner.
- 4.2 All fastenings should be checked for tightness. In addition, all rotating items should be checked.
- 4.3 Bearings are of the 'sealed for life' type and will not need a detailed inspection.

WARNING – Do not cover the air inlet and outlet. The hand dryer is fitted with thermal protection which switches the heating element off in the event of a fault condition.

Only a suitably qualified and competent person may carry out maintenance after the electrical supply has been isolated.

GUARANTEE

HYDOR or its agents will, within a period of 1 year from the date of dispatch from their works, repair or, at its option, replace any goods, which are proven to have defects as a result of defective materials or workmanship. The goods MUST be returned to HYDOR, carriage paid, for examination.

Hydor Ltd.

8 Parkers Close, Downton Business Centre

Downton, Salisbury, Wiltshire

SP5 3RB, UK

TEL: +44 (0) 1725 511422 FAX: +44 (0) 1725 512637 email: info@hydor.co.uk

Hydor Ventilation Aust

42-62 Pound Road West

Dandenong South

Vic 3175

TEL: 1300 655 730 FAX: 1300 134 319 email: info@hydor.com.au

Hydor Ventilation SA

11 Ingrid Road

Montague Gardens

Cape Town

7441

TEL: +27 (0) 21 552 1077 FAX: +27 (0) 21 552 2797 email: info@hydor.co.za