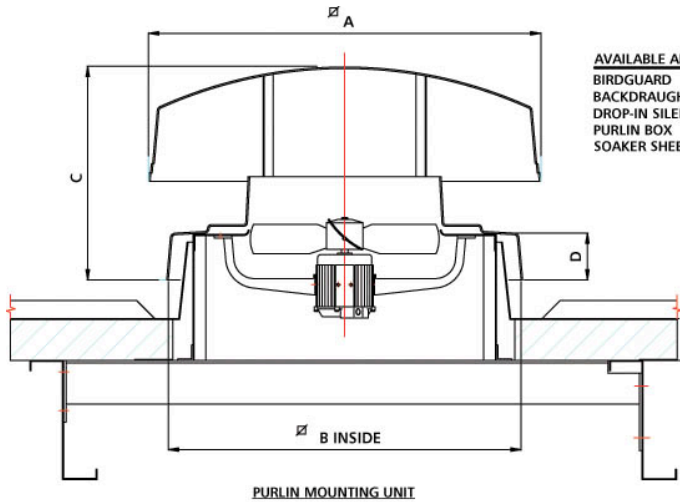
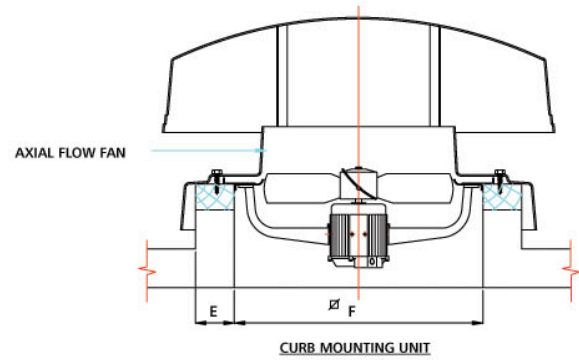


Low Silhouette Roof Units Installation and Maintenance Instructions

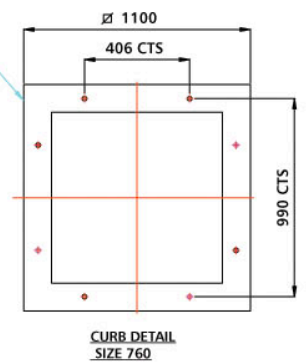
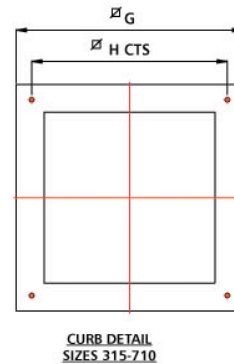
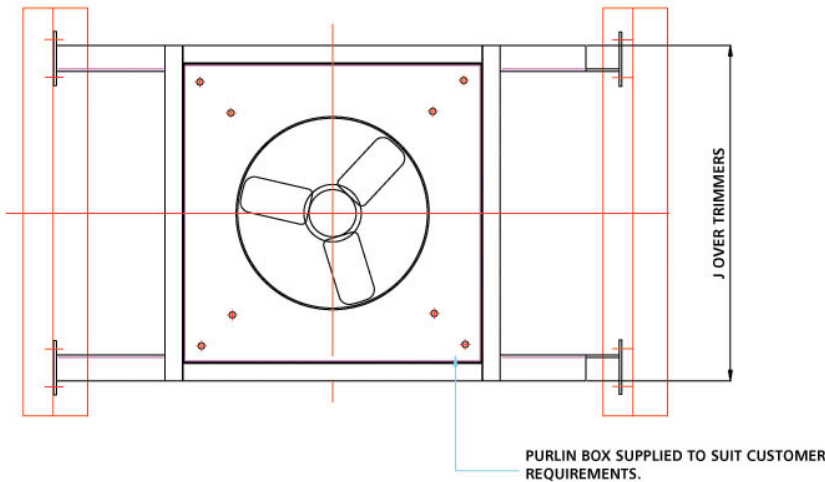
THESE INSTRUCTIONS MUST BE READ FULLY BEFORE COMMENCING INSTALLATION



AVAILABLE ANCILLARIES:-
BIRDCUARD
BACKDRAUGHT SHUTTER
DROP-IN SILENCER
PURLIN BOX
SOAKER SHEET



SECURE UNIT TO HARDWOOD SILL WITH M10 COACH BOLTS (NOT SUPPLIED BY HYDOR LTD)



CODE	A	B	C	D	E	F	G	H	J	Weight kg
HLS315	710	684	365	85	75	460	610	500	501	15
HLS355	710	684	365	85	75	460	610	500	501	16
HLS400	800	784	445	90	75	550	700	600	635	20
HLS450	800	784	445	90	75	550	700	600	635	27
HLS500	960	934	510	100	75	700	850	745	676	31
HLS560	960	934	510	100	75	700	850	745	787	40
HLS630	1230	1054	590	105	75	830	980	870	787	50
HLS710	1230	1054	590	105	75	830	980	870	876	52
HLS760	1400	1174	670	100	75	950	1100	-	940	63

1.0 GENERAL

- 1.1 It is important these Installation and Maintenance Instructions are fully adhered to.
- 1.2 Full details of the unit supplied are shown on the product nameplate. If in doubt about any detail contact HYDOR or its agents for clarification.
- 1.3 All electrical installation must be carried out by suitably qualified and competent personnel in accordance with all current statutory requirements.
- 1.4 These instructions cover only the HYDOR product and do not include the supply or installation of any safety equipment that may be required e.g. adequate guarding or protection from rotating parts and proper electrical isolation.
- 1.5 Any declarations made by HYDOR about product installation and safety, are dependant on the fan equipment being used within installations which themselves meet the requirements of the relevant Standards and Directives of your region.
- 1.6 The fan is designed for use in an ambient temperature of up to 50°C and up to 95% relative humidity. The fan is not suitable for corrosive or explosive atmospheres.
- 1.7 The installer should provide easy access to the fan to facilitate future maintenance.
- 1.8 The installer should ensure the fan is adequately supported.
- 1.9 This product is not intended for use by young children or infirm persons unless they have been adequately supervised by a responsible person to ensure that they can use the product safely. Young children should be supervised to ensure that they do not play with the appliance.

2.0 INSTALLATION

WARNING – The fan must be isolated from the power supply during installation and maintenance. The fan must be earthed in accordance with the local regulations.

- 2.1 Upon receipt, the fan equipment should be visually inspected to check for any damage. Ensure that the impeller is free to rotate.
- 2.2 If there are any queries concerning the fan equipment, HYDOR should be contacted prior to the installation.
- 2.3 **Assembly:** Invert the GRP cowl and base assembly taking care not to damage the surface of the cowl. Place the fan unit onto the base, lining up the four corner holes (eight in the case of the HLS760) of the mounting plate with the pre-drilled holes in the base. Do not remove the plugs from any unused holes. Secure the fan to the base ensuring that the roofing spats and oversize washers are correctly located on the bolt, on the outer surface of the base. Fit the internal washers and nuts.

DO NOT OVERTIGHTEN THE BOLTS AS THIS MAY DAMAGE THE BASE.

- 2.4 **Backdraught shutters:** These are normally factory fitted, as an option at time of ordering. Retro fitting is not recommended.
- 2.5 **Curb mounting:** Position the assembled roof unit onto the curb and secure to the timber sill with M10 coach bolts (not supplied by Hydor Ltd.), ensuring that roofing spats are positioned under each bolt head. It is advisable to drill pilot holes prior to fitting the bolts to prevent splitting the timber curb.

DO NOT OVERTIGHTEN THE BOLTS AS THIS MAY DAMAGE THE BASE.

2.6 Purlin mounting:

- Purlin trimmers: - should be bolted to the vertical flange of the purlin member taking care to align with the roof opening. Alternatively, these can be bolted below the purlin member, if more convenient.
- Soaker sheets: - place the soaker sheet centrally over the roof opening and under the ridge capping and fix and seal to the roof.
- Position the curb based roof unit, complete with the fan and purlin adapter box supplied, centrally over the soaker sheet upstand.

- Insert four long M10 set bolts between the lower angles of the purlin adaptor frame and the trimmers, secure with washers and nyloc nuts. Carefully tighten the assembly. The action of tightening the bolts will pull the curb based unit onto the soaker upstand and secure the complete assembly to the roof.

DO NOT OVERTIGHTEN THE BOLTS AS THIS MAY DAMAGE THE BASE AND THE SOAKER UPSTAND.

- 2.7 Check the details on the motor rating plate to ensure that the correct power supply (voltage, frequency and phase) is available.
An incorrect power supply will lead to permanent damage to the fan motor.
- 2.8 Refer to the appropriate wiring diagram. Ensure that all earth connections are made.
- 2.9 Means for electrical disconnection must be incorporated in the wiring installation in accordance with the relevant wiring and electrical regulations.
- 2.10 Precaution must be taken to locate the exhaust discharge terminal so as to avoid the backflow of gases into the room from the open flue of gas or other fuel burning appliances.

3.0 START-UP

- 3.1 Before power is supplied to the unit, check that the wiring is correct as per the fan connection diagram.
- 3.2 At initial start-up, check that impeller rotation and airflow direction is correct.
- 3.3 Check that the motor amperage draw does not exceed the nameplate rating.

4.0 FAN MAINTENANCE

- 4.1 Inspection of the fan at least once every 12 months is recommended to ensure that the motor, fan blades, and supporting guards, are clean. Any build up of dust and deposits on the blades or guards should be removed using a non-abrasive cleaner.
- 4.2 All fastenings should be checked for tightness. In addition, all rotating items should be checked.
- 4.3 Bearings are of the 'sealed for life' type and will not need a detailed inspection.

GUARANTEE

HYDOR or its agents will, within a period of 1 year from the date of dispatch from their works, repair or, at its option, replace any goods, which are proven to have defects as a result of defective materials or workmanship. The goods MUST be returned to HYDOR, carriage paid, for examination.

Hydor Ltd.

8 Parkers Close, Downton Business Centre
Downton, Salisbury, Wiltshire
SP5 3RB, UK

TEL: +44 (0) 1725 511422 FAX: +44 (0) 1725 512637 email: info@hydor.co.uk

Hydor Ventilation Aust

42-62 Pound Road West
Dandenong South
Vic 3175

TEL: 1300 655 730 FAX: 1300 134 319 email: info@hydor.com.au

Hydor Ventilation SA

11 Ingrid Road
Montague Gardens
Capetown
7441

TEL: +27 (0) 21 552 1077 FAX: +27 (0) 21 552 2797 email: info@hydor.co.za