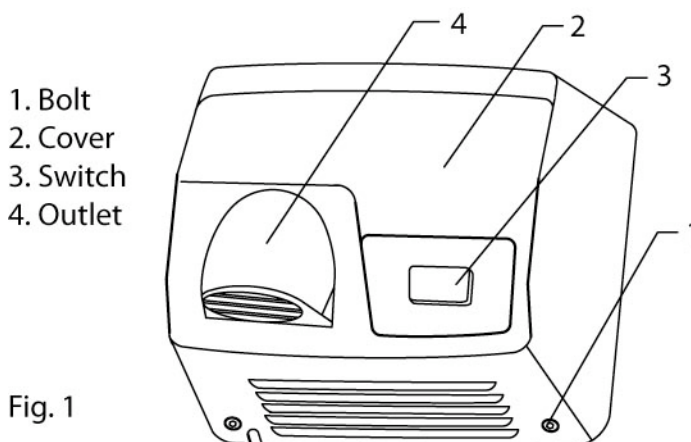


## Installation and Maintenance Instructions

### THESE INSTRUCTIONS MUST BE READ FULLY BEFORE COMMENCING INSTALLATION

| Code      | Supply            | Watts | Amps |
|-----------|-------------------|-------|------|
| HHD2500MB | 230-240V/1Ph/50Hz | 2400  | 10   |
| HHD2500MW | 230-240V/1Ph/50Hz | 2400  | 10   |



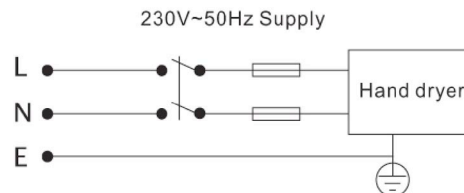
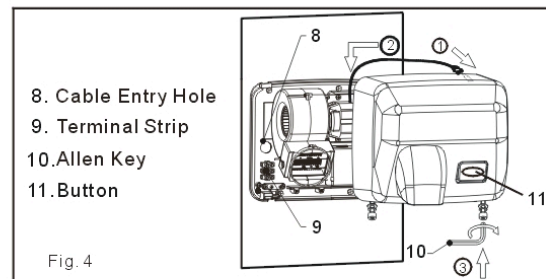
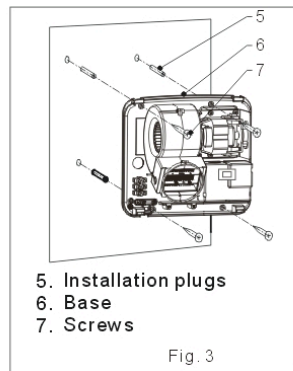
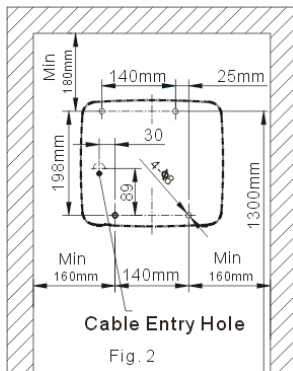
#### 1.0 GENERAL

- 1.1 It is important these Installation and Maintenance Instructions are fully adhered to.
- 1.2 Full details of the unit supplied are shown on the product nameplate. If in doubt about any detail contact HYDOR or its agents for clarification.
- 1.3 All electrical installation must be carried out by suitably qualified and competent personnel in accordance with all current statutory requirements.
- 1.4 Any declarations made by HYDOR about product installation and safety, are dependant on the hand dryer being used within installations which themselves meet the requirements of the relevant Standards and Directives of your region.
- 1.5 The hand dryer must be installed indoors in a dry, sheltered position and is designed for use in an ambient temperature of up to 40 °C. The hand dryer is not suitable for corrosive or explosive atmospheres.
- 1.6 The installer should provide easy access to the hand dryer to facilitate future maintenance.
- 1.7 The installer should ensure the hand dryer is adequately supported.
- 1.8 This product is not intended for use by persons (including children) with reduced physical, sensory or mental capabilities, or lack of experience and knowledge, unless they have been given supervision or instruction concerning use of the product by a person responsible for their safety. Children should be supervised to ensure that they do not play with the product.

## 2.0 INSTALLATION

**WARNING – The hand dryer is an IPX1 electrical appliance and must not be installed in an area where there is any possibility of water ingress. The hand dryer must be isolated from the power supply during installation and maintenance. The hand dryer must be earthed in accordance with the local regulations.**

- 2.1 Upon receipt, the hand dryer should be visually inspected to check for any damage.
- 2.2 Check the details on the rating plate to ensure that the correct power supply (voltage, frequency and phase) is available.  
An incorrect power supply will lead to permanent damage to the hand dryer.
- 2.3 Refer to Fig. 4 and remove the cover from the base plate in sequence ③, ②, and ①. Take care not to put any strain on the connecting wire between the cover and base plate when removing the cover.
- 2.4 Mark and drill 8mm diameter by 35mm deep holes per Fig. 2.
- 2.5 Attach the base plate to the wall using the screws and plugs provided. Refer to Fig. 3.
- 2.6 Refer to the appropriate wiring diagram. Ensure that all earth connections are made.
- 2.7 Means for electrical disconnection must be incorporated in the wiring installation in accordance with the relevant wiring and electrical regulations.
- 2.8 Fit the cover to the base plate per Fig. 4. ① Connect the earth wire to the cover. ② Hook the cover to the top of the base. ③ Push the cover and base firmly together and fit the socket head machine screws using the Allen key provided.



External Wiring Diagram

## 3.0 START-UP

- 3.1 Before power is supplied to the unit, ensure that the wiring is correct as per the connection diagram.
- 3.2 Press the button to activate the hand dryer. The hand dryer will operate for 35 seconds.
- 3.3 Pressing the button again will re-activate the hand dryer.
- 3.3 Check that the motor amperage draw does not exceed the nameplate rating.

#### **4.0 FAN MAINTENANCE**

- 4.1 Inspection of the hand dryer at least once every 12 months is recommended to ensure that the motor, fan blades, and supporting guards, are clean. Any build up of dust and deposits on the blades or guards should be removed using a non-abrasive cleaner.
- 4.2 All fastenings should be checked for tightness. In addition, all rotating items should be checked.
- 4.3 Bearings are of the 'sealed for life' type and will not need a detailed inspection.

**WARNING – Do not cover the air inlet and outlet. The hand dryer is fitted with thermal protection which switches the heating element off in the event of a fault condition. Only a suitably qualified and competent person may carry out maintenance after the electrical supply has been isolated.**

#### **GUARANTEE**

**HYDOR or its agents will, within a period of 1 year from the date of dispatch from their works, repair or, at its option, replace any goods, which are proven to have defects as a result of defective materials or workmanship. The goods MUST be returned to HYDOR, carriage paid, for examination.**

#### **Hydor Ltd.**

8 Parkers Close, Downton Business Centre  
Downton, Salisbury, Wiltshire  
SP5 3RB, UK

TEL: +44 (0) 1725 511422    FAX: +44 (0) 1725 512637    email: [info@hydor.co.uk](mailto:info@hydor.co.uk)

#### **Hydor Ventilation Aust**

42-62 Pound Road West  
Dandenong South  
Vic 3175

TEL: 1300 655 730    FAX: 1300 134 319    email: [info@hydor.com.au](mailto:info@hydor.com.au)

#### **Hydor Ventilation SA**

11 Ingrid Road  
Montague Gardens  
Capetown  
7441

TEL: +27 (0) 21 552 1077    FAX: +27 (0) 21 552 2797    email: [info@hydor.co.za](mailto:info@hydor.co.za)