

HXRUS Agri-Jet Silent

Hydor have developed a version of their renowned Agri-Jet specifically to address stringent noise emission legislation where installations are in proximity to residential buildings.

The Agri-Jet Silent roof mounted unit is a high velocity jet extraction unit for on or off ridge installations. The design of the inlet ensures that it operates at high efficiency by maximising air flow and operating at low back-pressure, therefore minimising operating cost. Stale air is expelled through the cowl to a height of approximately 60 feet, ensuring that any dust, moisture, ammonia and smells are dissipated as they leave the building.



SINGLE Phase

220V to 240V / 50Hz

	Speed (r/min)	Airflow m ³ /s @ Static Pressure (Pa)					Overall Eff. %	FMEG	Input (kW)	FLC (Amps)	dBA @ 3m
		0	25	50	75	100					
HXRUS630	924	3.365	3.163	2.934	2.677	2.355	37.0	N44	0.654	3.12	52
HXRUS710	913	3.982	3.675	3.294	2.784		32.6	N40	0.663	3.11	59
HXRUS800	914	5.450	4.989	4.544	4.073	3.477	36.3	N42	0.963	4.22	62

Data in accordance with ErP 327/2011 of the European Parliament. Measurement category used to determine energy efficiency: A. FLC Amps @ 230V / 1Ph / 50Hz. # Add A or B for airflow when ordering.

THREE Phase

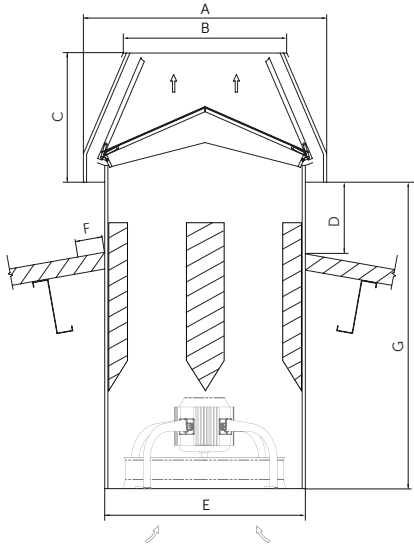
380V to 415V / 50Hz

	Speed (r/min)	Airflow m ³ /s @ Static Pressure (Pa)					Overall Eff. %	FMEG	Input (kW)	FLC (Amps)	dBA @ 3m
		0	25	50	75	100					
HXRUS630	688	2.233	1.826	1.296			29.7	N40	0.222	0.77	46
HXRUS710	862	4.498	4.138	3.678	3.117		35.4	N42	0.689	1.41	58
HXRUS800	896	5.042	4.620	4.177	3.687	3.007	42.0	N49	0.724	1.54	61

Data in accordance with ErP 327/2011 of the European Parliament. Measurement category used to determine energy efficiency: A. FLC Amps @ 400V / 3Ph / 50Hz. # Add A or B for airflow when ordering.

HXRUS Agri-Jet Silent

dimensional drawing



features and benefits

- The additional attenuator allows for a lower discharge sound spectrum to be generated to meet planning authorities criteria
- A cushioned rubber edging minimises noise when outlet shutter blades fall into the closed position. Blades are inter-linked to eliminate lifting in cross winds and the associated noise this can generate
- Enhanced airflow generated by the high efficiency fan coupled with low back pressure resistance means minimal operating costs
- Low silhouette design provides tidy and unobtrusive appearance
- Supplied as ready assembled units for either on or off-ridge installations, the units are simple and cost effective to install compared to circular vertical discharge units
- Easy internal access for cleaning and maintenance
- Agri-Jet top sections can be coloured to suit local planning requirements

dimensions

	A	B	C	D	E	F*	G
HXRUS630	900	421	509	193	805	300	1750
HXRUS710	941	454	543	199	847	300	1750
HXRUS800	1067	503	603	197	971	300	1750

Dimensions in mm. *Weather skirt

accessories

- Propeller Side Guards are available for low mounted applications
- Removable Light Baffle boards for eliminating light