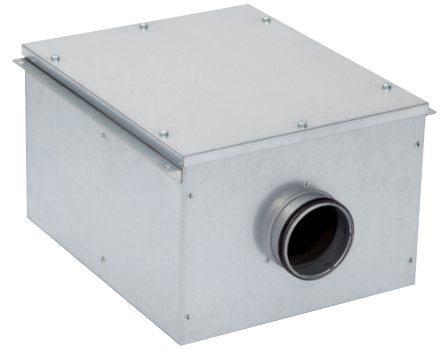


## HSQS Centrifugal Box Fan

Wherever a powerful, quiet extractor fan is required, the HSQS provides the perfect balance between brilliant airflow performance and exceptionally low noise levels making it ideal for grow rooms that are located close to occupants.



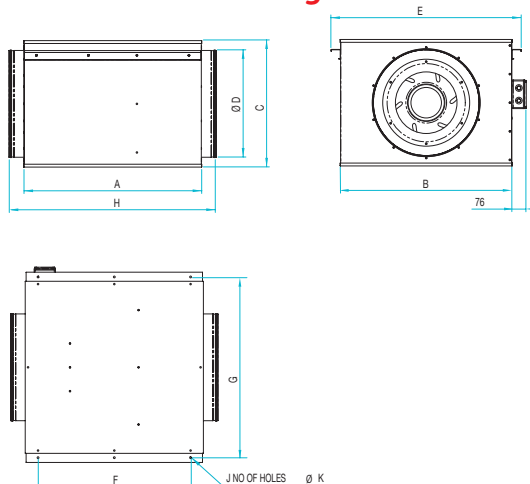
### features and benefits

- A robust, lightweight unit manufactured from UV / ozone resistant galvanised sheet steel
- Flame retardant acoustic lining means breakout noise levels are significantly lowered
- Low profile design which allows easier fitting into roof voids. Cleaning and maintenance is made easier with access to the fan via the removable lid
- Designed for easy, direct connection to standard diameter flexible or rigid circular ductwork with 50mm long spigots
- The forward curved centrifugal impellers provide continuous air extraction with a smooth airflow
- Mounting brackets are supplied fixed to the sides of the casing for easier installation
- The impeller axis runs horizontally across the unit which minimises the overall height

### product inform...

Speed r/min	Airflow m <sup>3</sup> /s @ Static Pressure Pa.													Eff %	FMEG	FLC	kW	dBA @ 3m	
	0	25	50	75	100	150	200	250	300	350	400	500	Inlet					Outlet	
HSQS125	2526	0.101	0.096	0.092	0.087	0.082	0.071	0.059	0.045	0.027	0.005	-	-	20.7	-	0.35	0.065	45	45
HQS150	2515	0.130	0.122	0.114	0.106	0.099	0.084	0.069	0.052	0.031	0.007	-	-	22.6	-	0.35	0.066	51	52
HSQS200	2504	0.240	0.228	0.217	0.205	0.194	0.172	0.150	0.128	0.107	0.084	0.061	-	24.5	N44	0.66	0.141	47	46
HSQS250	2449	0.335	0.326	0.317	0.307	0.296	0.270	0.241	0.210	0.180	0.152	0.125	0.075	26.4	N44	0.99	0.217	50	49
HSQS315	1289	0.394	0.376	0.356	0.331	0.300	0.219	0.133	0.054	-	-	-	-	19.7	N38	0.84	0.179	40	40
HSQS400	1378	0.682	0.662	0.641	0.618	0.593	0.535	0.462	0.364	0.230	0.089	-	-	34.2	N50	1.50	0.293	43	42

### dimensional drawing



### dimensions

	A	B	C	D	E	F	G	H	J	K	(kg)
HSQS125	509	350	261	125	390	485	380	587	4	8	14
HSQS150	509	350	261	150	390	485	380	587	4	8	14
HSQS200	584	396	303	200	436	550	426	662	4	8	17
HSQS250	584	396	333	250	436	550	426	702	4	8	19
HSQS315	635	485	400	315	525	580	515	753	4	8	27
HSQS400	700	570	472	400	670	580	620	858	6	10	36

Dimensions in mm.