

## HIT Centrifugal Extractor Fan



HIT fans are designed specifically for smaller greenhouse and grow room ventilation applications, providing high airflow performance, quiet operation and the flexibility of a powerful three speed motor for high, medium or low airflow settings.\*

### SINGLE Phase

220V to 240V / 50Hz or 60Hz

	Speed (r/min)	Airflow SFP	Airflow @ Static Pressure (Pa)											Overall Eff. %	Input (kW)	Peak (Amps)	dBA @ 3m		
			0	25	50	75	100	150	200	250	300	350	400				Inlet	Outlet	
HIT100	2725	m <sup>3</sup> / s	0.060	0.053	0.047	0.040	0.033								13.5	0.025	0.14	Inlet	42
		W / (L/s)	0.42	0.47	0.53	0.61	0.73											Outlet	37
HIT125	2690	m <sup>3</sup> / s	0.059	0.054	0.048	0.041	0.031	0.014							12.6	0.026	0.14	Inlet	43
		W / (L/s)	0.43	0.47	0.53	0.62	0.80	1.79						Outlet				38	
HIT150	2595	m <sup>3</sup> / s	0.130	0.125	0.120	0.115	0.108	0.094	0.078	0.060	0.039	0.001			25.2	0.062	0.28	Inlet	52
		W / (L/s)	0.49	0.52	0.53	0.55	0.56	0.62	0.70	0.85	1.20	44.13						Outlet	50
	2300	m <sup>3</sup> / s	0.112	0.108	0.101	0.092	0.081	0.065	0.051	0.036	0.015				20.3	0.051	0.26	Inlet	49
		W / (L/s)	0.48	0.52	0.55	0.59	0.64	0.75	0.86	1.08	2.15			Outlet				47	
	2120	m <sup>3</sup> / s	0.090	0.081	0.065	0.055	0.049	0.038	0.029	0.017					13.0	0.045	0.25	Inlet	46
		W / (L/s)	0.59	0.67	0.85	0.97	1.04	1.21	1.43	2.06				Outlet				44	
2700	m <sup>3</sup> / s	0.138	0.133	0.128	0.122	0.116	0.104	0.090	0.073	0.051	0.017			33.6	0.055	0.24	Inlet	46	
	W / (L/s)	0.37	0.41	0.43	0.45	0.46	0.48	0.51	0.56	0.70	1.99		Outlet				45		
HIT160	2370	m <sup>3</sup> / s	0.121	0.117	0.111	0.104	0.094	0.075	0.057	0.041	0.021			22.3	0.051	0.23	Inlet	43	
		W / (L/s)	0.41	0.45	0.48	0.52	0.55	0.66	0.77	0.95	1.58		Outlet				42		
2715	m <sup>3</sup> / s	0.112	0.106	0.097	0.084	0.071	0.052	0.039	0.027	0.012				16.2	0.043	0.24	Inlet	40	
	W / (L/s)	0.44	0.49	0.55	0.64	0.75	0.96	1.15	1.44	2.67		Outlet	40						
HIT200	2565	m <sup>3</sup> / s	0.243	0.235	0.227	0.218	0.210	0.193	0.175	0.155	0.133	0.106	0.070		38.4	0.104	0.46	Inlet	46
		W / (L/s)	0.39	0.43	0.46	0.48	0.48	0.50	0.51	0.51	0.51	0.63	0.96	Outlet				45	
	2395	m <sup>3</sup> / s	0.225	0.217	0.208	0.199	0.188	0.166	0.141	0.117	0.091	0.065	0.036		30.8	0.088	0.43	Inlet	44
		W / (L/s)	0.34	0.45	0.50	0.52	0.50	0.50	0.51	0.57	0.73	1.03	1.89	Outlet				43	
	2100	m <sup>3</sup> / s	0.206	0.199	0.190	0.179	0.164	0.132	0.104	0.078	0.053	0.030	0.013		22.4	0.092	0.43	Inlet	42
		W / (L/s)	0.42	0.46	0.50	0.53	0.56	0.67	0.78	0.91	1.05	1.59	3.66	Outlet				41	
2555	m <sup>3</sup> / s	0.232	0.225	0.218	0.211	0.203	0.186	0.168	0.146	0.122	0.092	0.056		35.3	0.105	0.48	Inlet	47	
	W / (L/s)	0.42	0.46	0.48	0.50	0.51	0.53	0.55	0.57	0.62	0.79	1.31	Outlet				46		
HIT250	2295	m <sup>3</sup> / s	0.216	0.208	0.199	0.189	0.179	0.156	0.131	0.104	0.077	0.049	0.018		26.5	0.100	0.45	Inlet	44
		W / (L/s)	0.43	0.47	0.51	0.53	0.55	0.60	0.67	0.75	0.88	1.29	3.42	Outlet				43	
2115	m <sup>3</sup> / s	0.204	0.194	0.184	0.172	0.158	0.127	0.099	0.075	0.052	0.030			20.2	0.099	0.44	Inlet	43	
	W / (L/s)	0.45	0.49	0.54	0.58	0.62	0.74	0.88	1.04	1.25	1.98		Outlet				41		
HIT315	2190	m <sup>3</sup> / s	0.342	0.327	0.312	0.297	0.283	0.254	0.224	0.190	0.153	0.111	0.070		30.6	0.156	0.69	Inlet	46
		W / (L/s)	0.42	0.46	0.49	0.52	0.55	0.61	0.66	0.72	0.80	1.02	1.61	Outlet				47	
1965	m <sup>3</sup> / s	0.323	0.301	0.283	0.266	0.250	0.215	0.175	0.127	0.082	0.051	0.030		24.5	0.144	0.66	Inlet	44	
	W / (L/s)	0.40	0.45	0.49	0.54	0.58	0.66	0.78	0.99	1.33	1.94	3.32	Outlet				44		
1785	m <sup>3</sup> / s	0.299	0.284	0.267	0.246	0.220	0.163	0.118	0.085	0.060	0.040	0.023		17.6	0.139	0.64	Inlet	42	
	W / (L/s)	0.42	0.46	0.51	0.57	0.63	0.84	1.10	1.37	1.64	2.17	3.77	Outlet				43		

Data in accordance with ErP 1253/2014 of the European Parliament. Contact the office for 60Hz performance data. For EASi models add SP to the product code. Data provided is at standard air density of 1.2 kg/m<sup>3</sup>. Overall static efficiency, r/min and FMEG values are per ISO 12759. Installation Category C. Classified to Ecodesign 1253/2014 as NRVU, UVU, 2018 compliant. Peak Amps @ 230V / 1PH / 50Hz. The overall A-weighted sound pressure level is at a distance of 3m with spherical free-field propagation. It is expressed in dB re-20µPa and is presented for comparative purposes only.

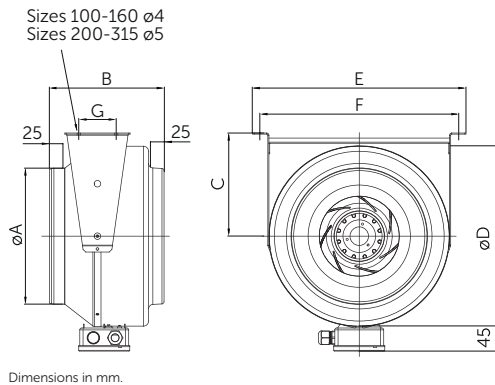
\*Excluding HIT100 and HIT125 single speed models.

## HIT Centrifugal Extractor Fans

**IP44**  
protection

**50°C**  
temperature

### dimensional drawing



### features & benefits

- All models are designed for direct connection to standard diameter flexible ducting with 25mm long spigots for ease of connection.
- Each unit has a heavy gauge pressed steel housing, which is durable, long lasting, UV and Ozone resistant.
- The integral guide vanes provide a smoother airflow by straightening the air and reducing turbulence.
- Three speed backward curved centrifugal impeller allows the desired speed setting to be selected either at the time of installation, or by an optional remote mounted three speed switch for high, medium and low settings.\*
- All HIT units have integral thermal overload protection which prevents the motor from overheating. Motors have sealed for life bearings.
- Connections are made via an IP54 rated terminal box which is fitted onto the outside of the unit casing.
- A high efficiency, single inlet, single width backward curved centrifugal impeller design which is non overloading and self cleaning.

### dimensions

	A	B	C	D	E	F	G	Weight (kg)
HIT100	98	204	130	237	284	270	47	3.7
HIT125	123	202	130	237	284	270	47	3.7
HIT150	148	195	165	278	326	312	47	3.6
HIT160	158	195	165	278	326	312	47	3.6
HIT200	198	242	190	333	392	372	100	5.5
HIT250	248	210	190	333	392	372	100	5.3
HIT315	313	280	227	400	460	440	100	8.8

Dimensions in mm.

### accessories

	Flexible Duct	Fast Clamps	Backdraught Dampers	Single Phase Electronic Controller	Single Phase 3 Speed Controller	Single Phase Transformer Voltage Controller
HIT100	HFD100X3	HFCLP100	HBS100	HFC1.7		TC012
HIT125	HFD125X3	HFCLP125	HBS125	HFC1.7		TC012
HIT150	HFD150X3	HFCLP150	HBS150	HFC1.7	HFT1.7	TC012
HIT160				HFC1.7	HFT1.7	TC012
HIT200	HFD200X3	HFCLP200	HBS200	HFC1.7	HFT1.7	TC012
HIT250		HFCLP250	HBS250	HFC1.7	HFT1.7	TC012
HIT315		HFCLP315	HBS315	HFC1.7	HFT1.7	TC012

\*Excluding HIT100 and HIT125 single speed models.

ISSUE 2. JAN 2018.