

HWFA Wall Fan

90°
turning arc

45°C
temperature

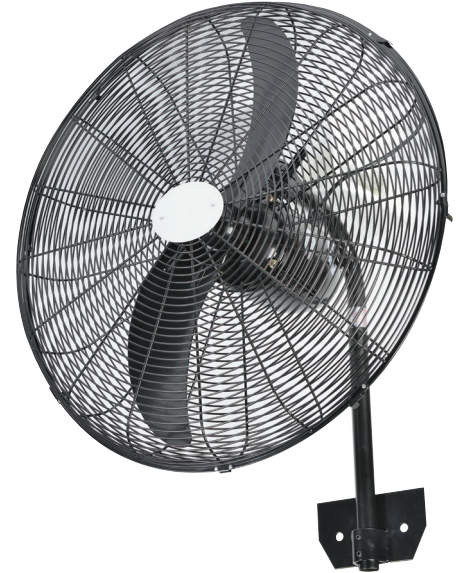
The Hydor HWFA Wall mounted air circulation fans are designed for use in a wide variety of applications.

Wall mounted fans provide the benefit of local cooling for staff, for example staff rest rooms, workshops and larger offices.

Whether it is for your dairy herd or staff, Hydor wall mounted fans provide powerful, cool, yet effective, positive air movement, thereby improving the environmental conditions for both humans and animals.

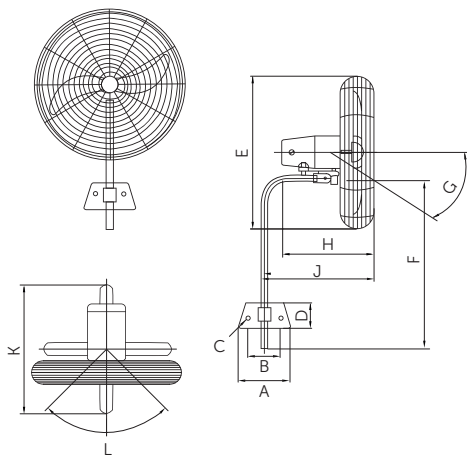
features and benefits

- Wall mounted air circulation fan
- Ideal for industrial, commercial and agricultural applications
- Adjustable airflow direction
- 3 speed settings
- Black meshed guard for protection
- Single phase 220V to 240V 50Hz



product information	Speed (r/min)	Airflow (m ³ /s)	Power (W)	FLC (Amps)	dBA @ 3m	Maximum Tilt	Weight (kg)
HWFA650 Low	890	1.83	130	0.56	46	30°	14.3
HWFA650 Med	1050	2.83	140	0.62	50	30°	14.3
HWFA650 High	1380	3.83	170	0.80	59	30°	14.3

dimensional drawing



dimensions

	A	B	C	D	E	F	G	H	J	K	L
HWFA	190	114	12.5	112	690	445	30°	360	525	590	90°

Dimensions in mm