

HXRU Roof Mounted Agri-Jet

The Agri-Jet roof mounted unit is a high velocity jet extraction unit for on or off-ridge installations.

The design of the inlet ensures that it operates at high efficiency by maximising air flow and operating at low back pressure which minimises operating costs. Stale air is expelled through the cowl to a height of approximately 60 feet, ensuring that any dust, moisture, ammonia and smells are dissipated as they leave the building.



SINGLE Phase

220V to 240V / 50Hz

	Speed (r/min)	Airflow SFP	Airflow m ³ /s @ Static Pressure (Pa)				Electrical Data		dBA @ 3m	
			0	25	50	75	FLC	Input kW	Inlet	Outlet
HXRU63061	924	m ³ /s	2.871	2.694	2.468	2.181	3.70	0.769	Inlet	60 dBA
		W/(L/s)	0.23	0.25	0.29	0.35			Outlet	59 dBA
HXRU71061	913	m ³ /s	3.322	2.989	2.494	-	5.30	0.805	Inlet	61 dBA
		W/(L/s)	0.24	0.27	0.32	-			Outlet	60 dBA
HXRU80061	914	m ³ /s	4.391	3.944	3.467	2.848	5.30	1.173	Inlet	59 dBA
		W/(L/s)	0.27	0.29	0.32	0.39			Outlet	58 dBA

Agri-jet assembly is out of the scope of 1253/2014 legislation. FLC Amps @ 230V / 1Ph / 50Hz.

THREE Phase

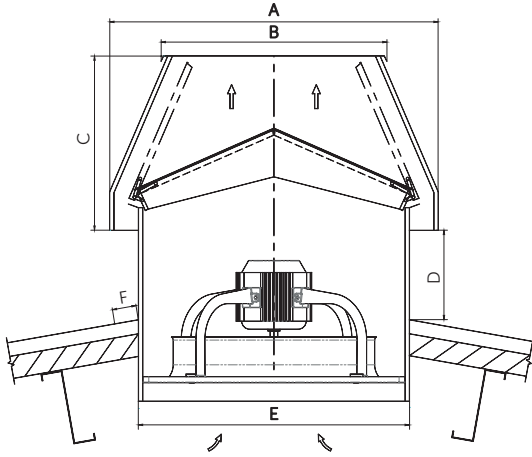
380V to 415V / 50Hz

	Speed (r/min)	Airflow SFP	Airflow m ³ /s @ Static Pressure (Pa)				Electrical Data		dBA @ 3m	
			0	25	50	75	FLC	Input kW	Inlet	Outlet
HXRU63063	912	m ³ /s	2.841	2.529	2.130	-	1.70	0.583	Inlet	60 dBA
		W/(L/s)	0.20	0.23	0.27	-			Outlet	59 dBA
HXRU71063	862	m ³ /s	3.721	3.332	2.808	-	1.70	0.689	Inlet	61 dBA
		W/(L/s)	0.22	0.25	0.30	-			Outlet	60 dBA
HXRU80063	896	m ³ /s	4.107	3.694	3.205	2.527	2.10	0.860	Inlet	56 dBA
		W/(L/s)	0.20	0.23	0.26	0.33			Outlet	55 dBA

Agri-jet assembly is out of the scope of 1253/2014 legislation. FLC Amps @ 400V / 3Ph / 50Hz.

HXRU Roof Mounted Agri-Jet

dimensional drawing



features and benefits

3 sizes 630mm - 800mm

- High efficiency fan easily accessible for cleaning and maintenance
- Minimal back pressure ensures maximum fan efficiency
- High velocity exhaust jet of approximately 60 feet ensures no roof dust deposit
- Plastic thermal barrier trunk reduces noise levels and in-house condensation
- Supplied as ready-assembled units for on-ridge or off-ridge installation
- Roof mounted units can be opened using an optional cable system as a fail safe contingency
- Agri-Jet top sections can be coloured to suit local planning requirements

dimensions

	A	B	C	D	E	F
HXRU630	900	421	509	193	805	300
HXRU710	941	454	543	199	847	300
HXRU800	1067	503	595	197	971	300

Dimensions in mm.

accessories

- Propeller Side Guards are available for low mounted applications
- Removable Light Baffle boards for eliminating light
- Agri-Jet top section units are available to mount over existing trunks, giving increased air output