

HPFA Pedestal Fan

90°
turning arc

45°C
temperature

The Hydor HPFA Pedestal air circulation fans are designed for use in a wide variety of applications.

Pedestal fans provide the benefit of local cooling for staff, for example staff rest rooms, workshops and larger offices.

Whether it is for your dairy herd or staff, Hydor pedestal fans provide powerful, cool, yet effective, positive air movement, thereby improving the environmental conditions for both humans and animals.

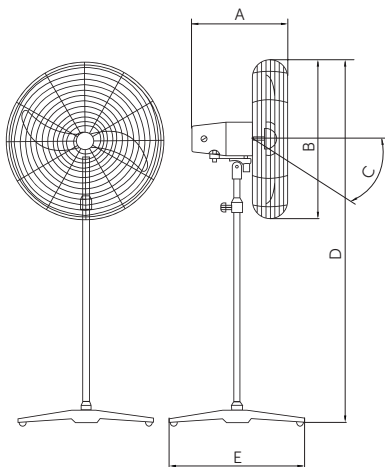
features and benefits

- Free standing air circulation fan
- Ideal for industrial, commercial and agricultural applications
- Adjustable height and airflow direction
- 3 speed settings
- Black meshed guard for protection
- Single phase 220V to 240V 50Hz



product information	Speed (r/min)	Airflow (m ³ /s)	Power (W)	FLC (Amps)	dBA @ 3m	Maximum Tilt	Weight (kg)
HPFA650 Low	890	1.83	130	0.56	46	30°	23
HPFA650 Med	1050	2.83	140	0.62	50	30°	23
HPFA650 High	1380	3.83	170	0.80	59	30°	23

dimensional drawing



dimensions

	A	B	C	D	E
HPFA	360	690	30°	1460-1860 (min-max)	525

Dimensions in mm