

hydor

TwistII Clean Filter

Patented reverse flushing action

The TwistII Clean filters have many unique and patented features and benefits placing them in a class of their own.

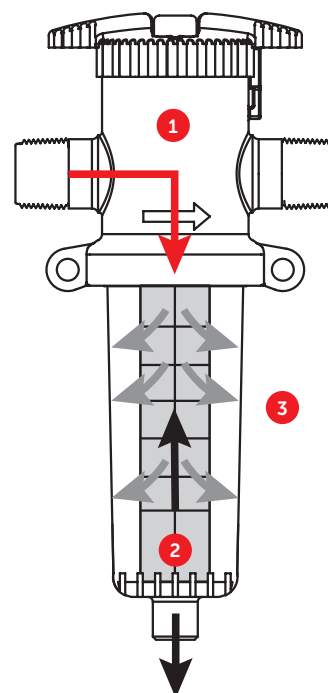
features and benefits

- Simple 1/4" turn operation
- Filter element flushes completely clean in less than 20 seconds
- No need to turn off water to clean (eliminates air in system)
- Rugged design installs indoors or outdoors
- Stainless steel filter element lasts for years
- Never buy filter cartridges again!

patented reverse flushing action

When the top handle is turned, three events take place:

- 1 Flow direction is changed to inside-out
- 2 The filter element is lifted to open the bottom flush port
- 3 An inside-out backwash occurs, and the filter element is cleaned

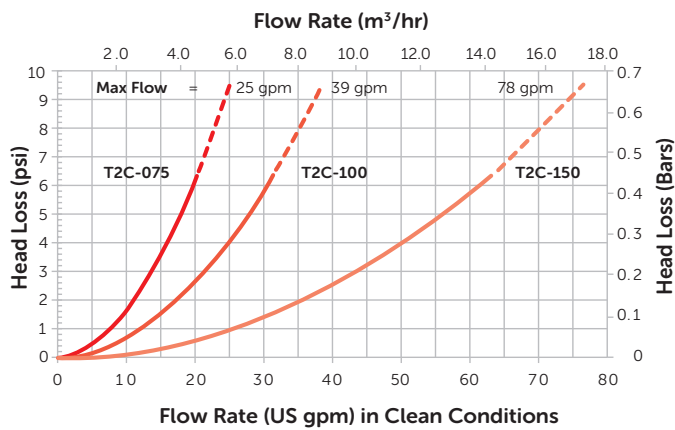


TwistII Clean Filter

product information

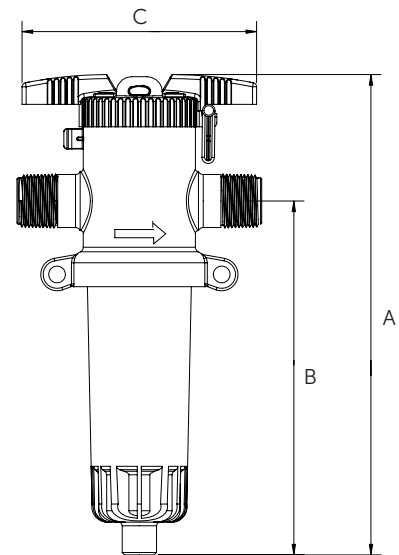
	Filter Screen Size		Max. Operating Pressure		Inlet/Outlet Pipe Conn.	Purge Outlet
	Mesh	Micron	psi	bar		
T2C 3/4" 105 Micron NPT	140	105	100	7	3/4" NPT	1/2" NPT
T2C 1" 105 Micron BSP	140	105	100	7	1" NPT	1/2" NPT
T2C 1.5" 105 Micron BSP	140	105	100	7	1.5" NPT	3/4" NPT

technical specification



— = recommended flow range

dimensional drawing



dimensions

	A	B	C
T2C 3/4" 105 NPT	298	222	152
T2C 1" 105 BSP	298	222	152
T2C 1.5" 105 BSP	381	305	203

Dimensions in mm

mesh size available

140 Mesh (105 Micron) Element (Black)