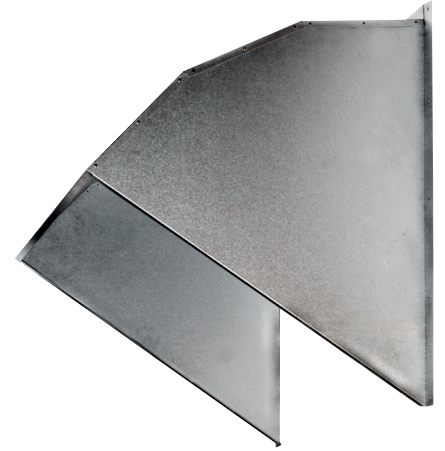


## HVWC Wall Cowl

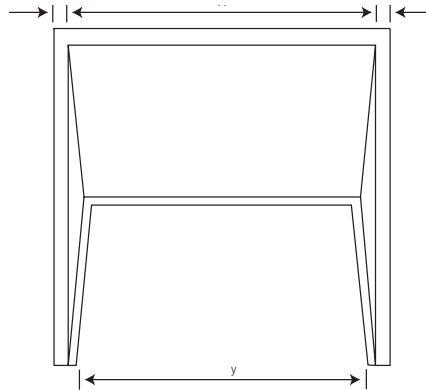
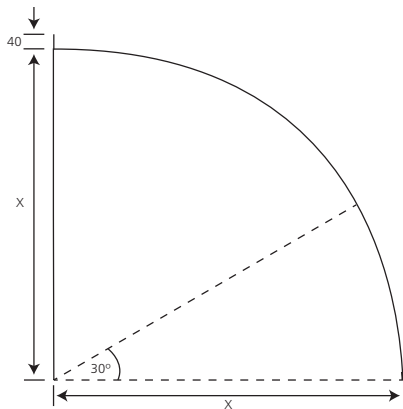
To protect fans, inlets and outlets from inclement weather and reduce external light ingress. Available in galvanised steel or Aluzinc. Dispatched in flat pack, to reduce volume and carriage costs. Can be nested to each other.

### features and benefits

- Can be installed with HV Belt-driven fans or HXP High Efficiency Fans
- Can be installed with Air Inlet Louvres
- Reduces rain ingress, preventing damage to the fan motor
- Reduces wind effect, encouraging even temperatures and reduced noise levels
- Pre-galvanised sheet metal construction
- Units tapered to assist stacking and transportation
- Prevents birds entering when fitted with a mesh. Available as an optional extra



### dimensional drawing



### dimensions

	X - Wall Aperture	Y - Outlet
HVWC800	1000 x 1000	900 x 1000
HVWC1000	1200 x 1200	1100 x 1200
HVWC1250	1440 x 1440	1290 x 1440
HVWC2000	2000 x 2000	1700 x 2000

Wall Cowls can be supplied with bird mesh as an extra. Dimensions in mm.