

HIT Centrifugal In-Line Fan



Installation and Maintenance Instructions.

THESE INSTRUCTIONS MUST BE READ FULLY BEFORE COMMENCING INSTALLATION.

Owner / installer: The life of this apparatus and its efficiency will be increased if its use and maintenance is carried out in accordance with these instructions and current statutory requirements. The installation and initial adjustments should be carried out by a qualified and competent technician. Hydor Limited should be consulted before substituting or fitting parts from another manufacturer. It is the responsibility of the installer to verify that the installation is in accordance with the following standards and the owner is given the current User's Manual.

Any modifications to the fan or its installation, even the smallest modification, change or elimination of security components or pieces that influence the efficiency or loss of ventilation, will result in the CE Certification and Hydor's warranty being cancelled.

Article No.	Code	Supply	FL Amps	Watts	r/min	Suitable for EU?
007580	HIT100	240V/1Ph/50Hz	0.14	26	2725	Y
		220V/1Ph/60Hz	0.13	25	3150	
007578	HIT125	240V/1Ph/50Hz	0.14	26	2690	Y
		220V/1Ph/60Hz	0.12	25	3200	
HIT150	HIT150	240V/1Ph/50Hz	0.28	65	2595	Y
		220V/1Ph/60Hz	0.36	84	2858	
007414	HIT160	240V/1Ph/50Hz	0.24	55	2700	Y
		220V/1Ph/60Hz	0.30	70	3100	
007133	HIT200	240V/1Ph/50Hz	0.46	105	2565	Y
		220V/1Ph/60Hz	0.60	130	2900	
007667	HIT250	240V/1Ph/50Hz	0.48	106	2555	Y
		220V/1Ph/60Hz	0.57	130	2950	
007581	HIT315	240V/1Ph/50Hz	0.69	158	2190	Y
		220V/1Ph/60Hz	0.84	182	2600	

1. General

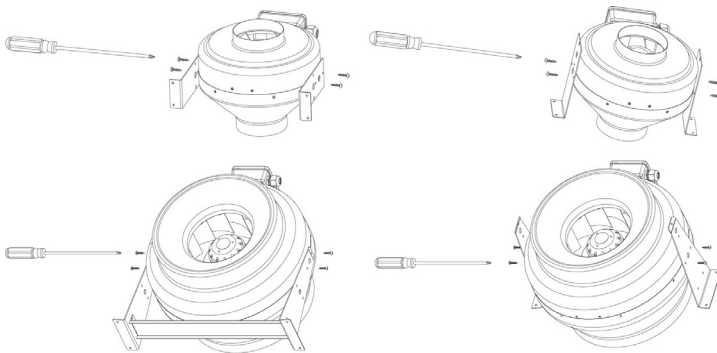
- 1.1 It is important these Installation and Maintenance Instructions are fully adhered to.
- 1.2 Full details of the unit supplied are shown on the product nameplate. If in doubt about any detail contact Hydor or its agents for clarification.
- 1.3 All electrical installation must be carried out by suitably qualified and competent personnel in accordance with all current statutory requirements.
- 1.4 These instructions cover only the Hydor product and do not include the supply or installation of any safety equipment that may be required e.g. adequate guarding or protection from rotating parts and proper electrical isolation.
- 1.5 Any declarations made by Hydor about product installation and safety, are dependant on the fan equipment being used within installations which themselves meet the requirements of the relevant Standards and Directives of your region.
- 1.6 The fan is designed for use in up to 95% relative humidity. The fan is not suitable for corrosive or explosive atmospheres.
- 1.7 The installer should provide easy access to the fan to facilitate future maintenance.
- 1.8 The installer should ensure the fan is adequately supported.
- 1.9 This product is not intended for use by young children or infirm persons unless they have been adequately supervised by a responsible person to ensure that they can use the product safely. Young children should be supervised to ensure that they do not play with the appliance.

WARNING The fan must be isolated from the power supply during installation and maintenance. The fan must be earthed in accordance with the local regulations.

2. Installation

- 2.1 Upon receipt, the fan equipment should be visually inspected to check for any damage. Ensure that the impeller is free to rotate.
- 2.2 If there are any queries concerning the fan equipment, Hydor should be contacted prior to the installation.
- 2.3 Use the mounting brackets supplied with the HIT fan to fix the fan in the desired position to suit the application. The fan can be mounted at any angle.
- 2.4 Check the details on the motor rating plate to ensure that the correct power supply (voltage, frequency and phase) is available. An incorrect power supply will lead to permanent damage to the fan motor.
- 2.5 Refer to the appropriate wiring diagram. Ensure that all earth connections are made.

- 2.6 Means for electrical disconnection must be incorporated in the wiring installation in accordance with the relevant wiring and electrical regulations.
- 2.7 Precaution must be taken to locate the exhaust discharge terminal so as to avoid the backflow of gases into the room from the open flue of gas or other fuel burning appliances.



3. Start-up

- 3.1 Before power is supplied to the unit, check that the wiring is correct as per the fan connection diagram.
- 3.2 At initial start-up, check that impeller rotation and airflow direction is correct.
- 3.3 Check that the motor amperage draw does not exceed the nameplate rating.

4. Fan Maintenance

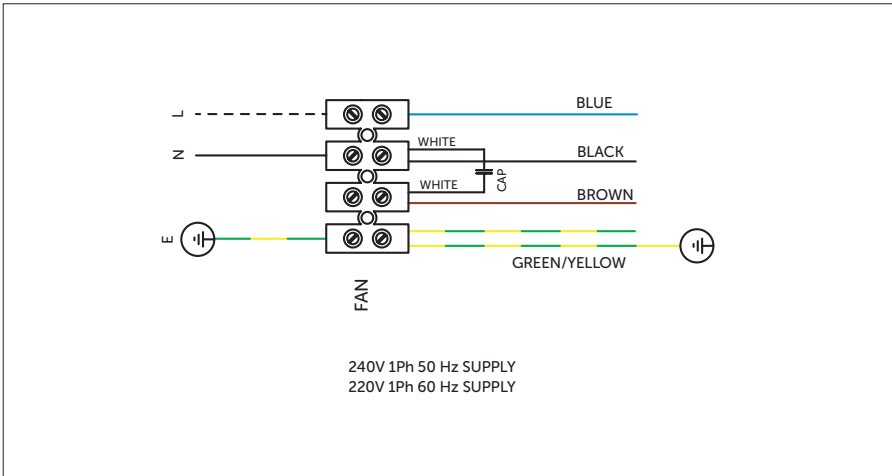
- 4.1 Inspection of the fan at least once every 12 months is recommended to ensure that the motor, fan blades, and supporting guards, are clean. Any build up of dust and deposits on the blades or guards should be removed using a non-abrasive cleaner.
- 4.2 All fastenings should be checked for tightness. In addition, all rotating items should be checked.
- 4.3 Bearings are of the 'sealed for life' type and will not need a detailed inspection.

WARNING This fan is fitted with a non self-resetting thermal cut-out which switches the fan off in the event of a fault condition. To reset, turn the power off for one minute, then back on. Only a suitably qualified and competent person may carry out maintenance after the electrical supply has been isolated.

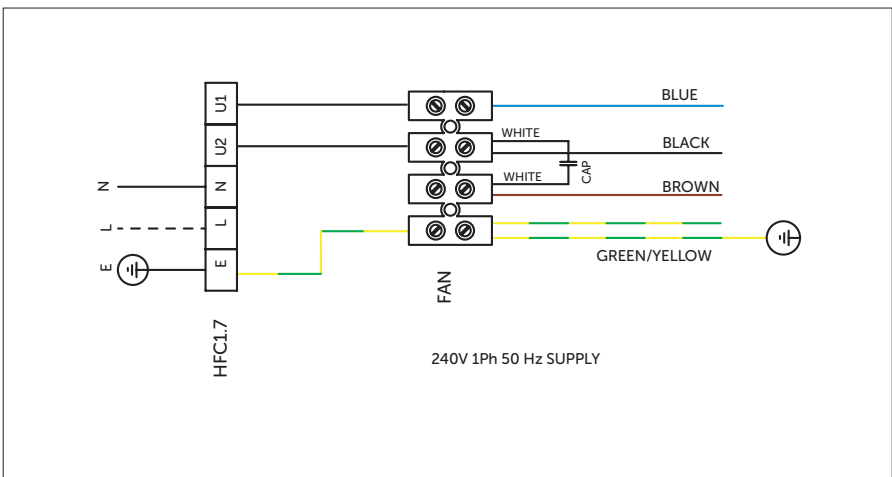
5. Wiring

HIT 100 - 125

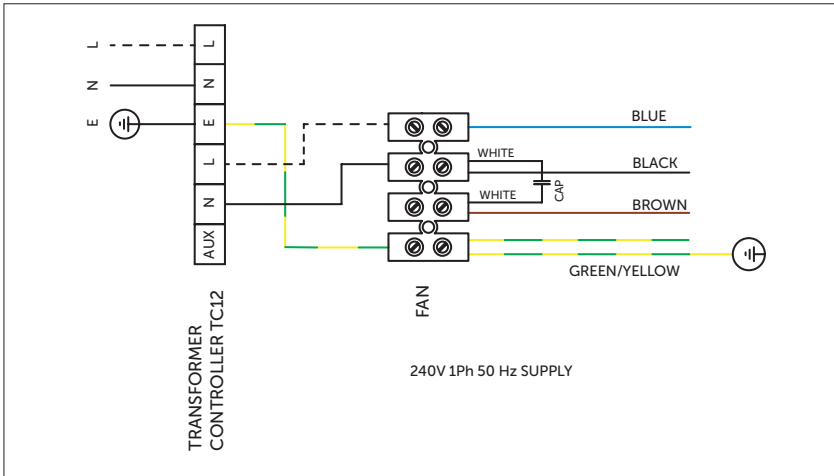
5.1 Fan



5.2 Electronic Controller

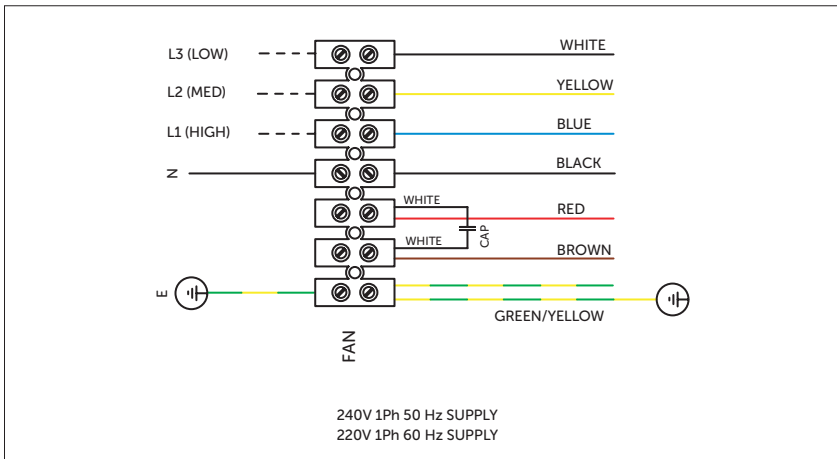


5.3 Transformer Controller

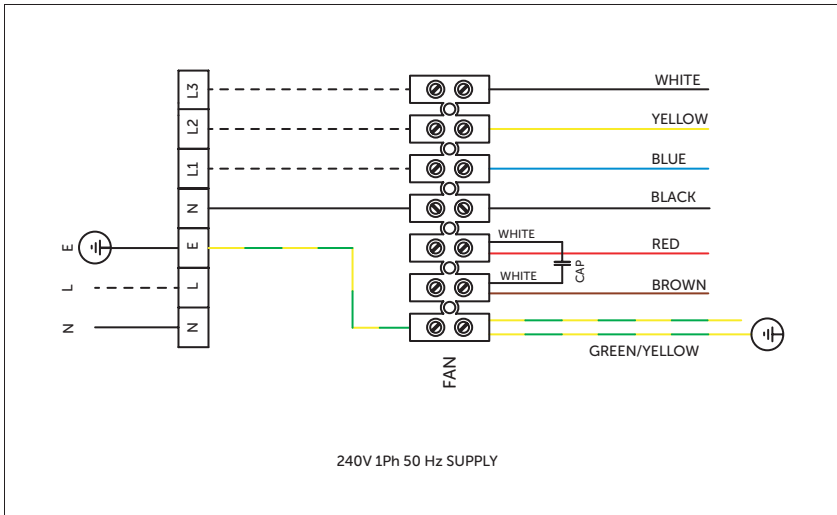


HIT 150 - 315

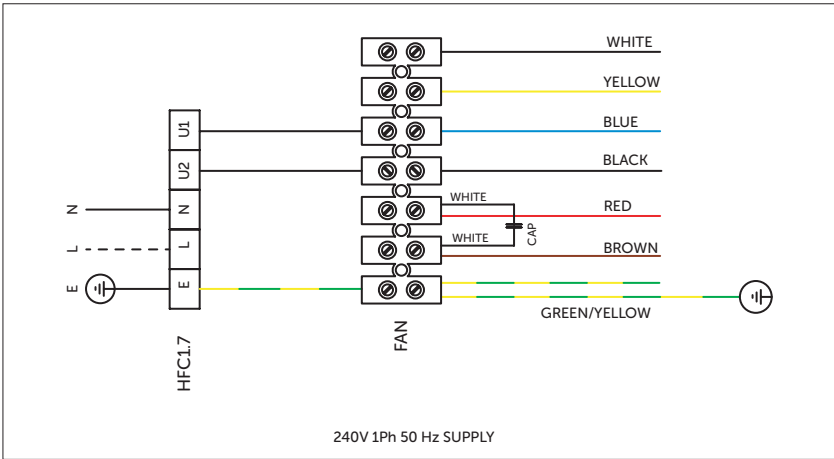
5.4 Fan



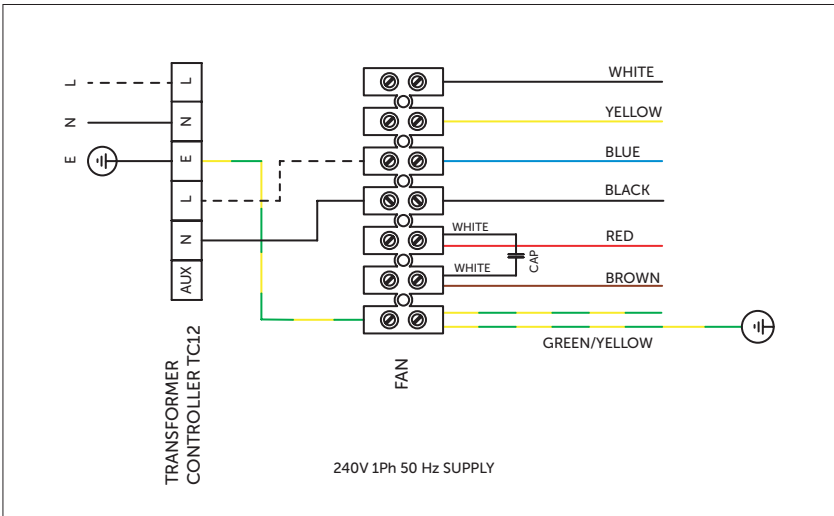
5.5 Three Speed Controller



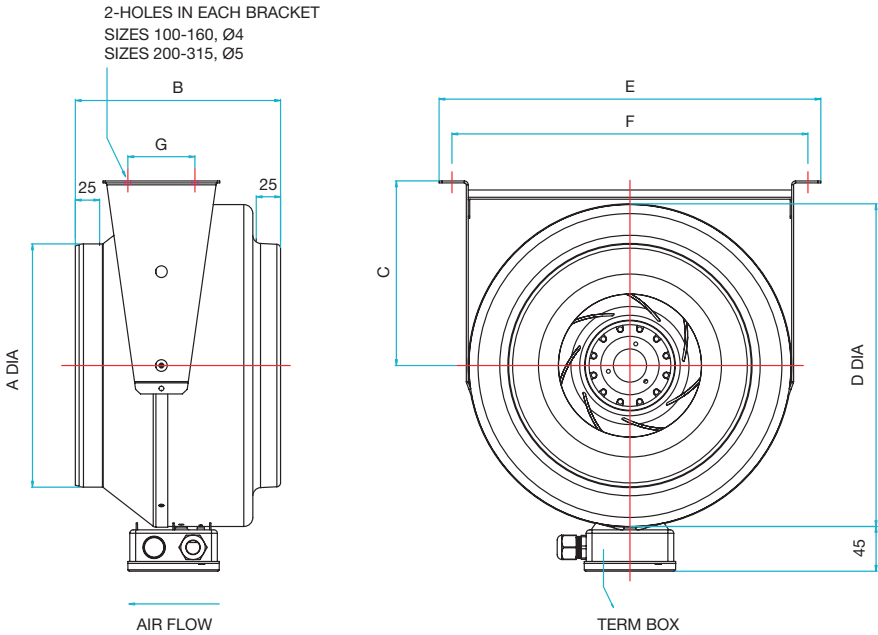
5.6 Electronic Controller



5.7 Transformer Controller



6. Dimensional Data



Article No.	Product Code	A	B	C	D	E	F	G	Weight kg	Suitable for EU?
007580	HIT100	98	204	130	237	284	270	47	3.7	Y
007578	HIT125	123	202	130	237	284	270	47	3.7	Y
HIT150	HIT150	148	195	165	278	326	312	47	3.6	Y
007414	HIT160	158	195	165	278	326	312	47	3.6	Y
007133	HIT200	198	242	190	333	392	372	100	5.5	Y
007667	HIT250	248	210	190	333	392	372	100	5.3	Y
007581	HIT315	313	280	227	400	460	440	100	8.8	Y

Guarantee

Hydor or its agents will, within a period of one year from the date of dispatch from their works, at its option, replace any goods, which are proven to have defects as a result of defective materials or workmanship. The goods must be inspected by a Hydor official and if necessary returned, with a Returns Note Number, carriage paid, for further examination.

Hydor Ltd

Hydor

Unit 8, Parkers Close, Downton
Business Centre, Downton, Salisbury,
Wiltshire, SP5 3RB, UK

Tel: +44 (0) 1725 511422

Email: info@hydor.co.uk

Web: www.hydor.co.uk

idealair group

Unit 1, Building 1, Sydney
Corporate Park, 85 O'Riordan Street,
Alexandria NSW 2015

Tel: +61 (02) 8073 3310

Fax: +61 (02) 8073 3320

Email: info@idealairgroup.com.au

Web: idealairgroup.com.au

AMS

11 Ingrid Road, Montague Gardens,
7442 Cape Town, Western Cape

Tel: +27 (0) 21 552 1077

Fax: +27 (0) 21 552 2797

Web: fans.co.za

Elta Fans (Building Services)

46 Third Avenue, Pensnett Trading
Estate, Kingswinford, West Midlands,
DY6 7US, UK

Tel: +44 (0) 1384 275800

Fax: +44 (0) 1384 275810

Email: bs@eltafans.co.uk

Web: www.eltafans.com

Elta Fans (Applied Technology)

17 Barnes Wallis Road, Segensworth
East Industrial Estate, Fareham,
Hampshire, PO15 5ST, UK

Tel: +44 (0) 1489 566500

Fax: +44 (0) 1489 566555

Email: at@eltafans.co.uk

Web: www.eltafans.com

Elta Fans (Export)

17 Barnes Wallis Road, Segensworth
East Industrial Estate, Fareham,
Hampshire, PO15 5ST, UK

Tel: +44 (0) 1489 566500

Fax: +44 (0) 1489 566555

Email: export@eltafans.co.uk

Web: www.eltafans.com