

HVWC Wall Cowls

Installation and Maintenance Instructions.

THESE INSTRUCTIONS MUST BE READ FULLY BEFORE COMMENCING INSTALLATION.

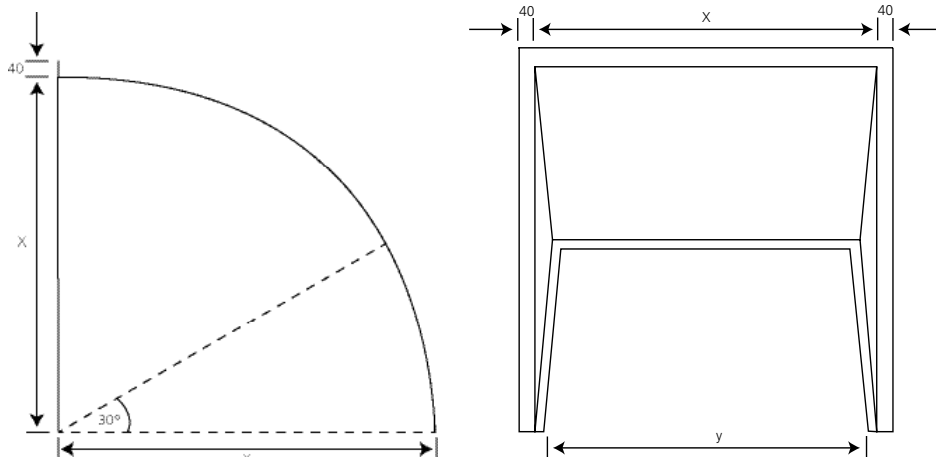
Owner / installer: The life of this unit will be increased if its use, installation and maintenance is carried out in accordance with these instructions. It is the responsibility of the installer to verify that the installation is in accordance with the following standards.

1. General

- 1.1 It is important these Installation and Maintenance Instructions are fully adhered to.
- 1.2 These instructions cover only the Hydor product.
- 1.3 The Cowls are designed to fit onto the external wall over the fan aperture.
- 1.4 Cowls are specifically sized to fit the range of HXP Plate Fans and HV Belt Drive Fans.
- 1.5 Cowls are constructed of Aluzinc or galvanised steel and can be dispatched ready assembled, as they nest together or flat pack unassembled to reduce carriage volume.
- 1.6 Cowls can have wire mesh guards fitted to prevent birds entering.
- 1.7 This product is not intended for use by young children or infirm persons unless they have been adequately supervised by a responsible person. Young children should be supervised to ensure that they do not play with the cover.

WARNING The fan must be isolated from the power supply when the Cowl is being installed.

2. Dimensions



| Product Code | X - Wall Aperture | Y - Outlet |
|--------------|-------------------|-------------|
| HVWC800 | 1000 x 1000 | 900 x 1000 |
| HVWC1000 | 1200 x 1200 | 1100 x 1200 |
| HVWC1250 | 1440 x 1440 | 1290 x 1440 |
| HVWC2000 | 2000 x 2000 | 1700 x 2000 |

3. Installation

- 3.1 Ensure that the fan is switched off and isolated from the supply.
- 3.2 Pay particular attention if the fan system involves automatic controls.
- 3.3 If the cowl is flat-pack it should be assembled before installation can take place. This involves the fixing of several stainless steel pop rivets to the sides of the unit and also the wire mesh, if supplied.
- 3.4 The assembled cowl should be offer up to the fan aperture and securely fixed to the wall using appropriate screws or bolts. The cowl has "key-hole" slots, so can be easily removed, if required.

Note The Cowls should be regularly inspected for the security of fixings every time maintenance is carried out on the fans and should be kept clean of dirt.

Guarantee

Hydor or its agents will, within a period of one year from the date of dispatch from their works, at its option, replace any goods, which are proven to have defects as a result of defective materials or workmanship. The goods must be inspected by a Hydor official and if necessary returned, with a Returns Note Number, carriage paid, for further examination.

Hydor Ltd

Hydor

Unit 8, Parkers Close, Downton Business Centre,
Downton, Salisbury, Wiltshire, SP5 3RB, UK

Tel: +44 (0) 1725 511422

Fax: +44 (0) 1725 512637

Email: info@hydor.co.uk

Web: www.hydor.co.uk

idealair group

Unit 1, Building 1, Sydney Corporate Park,
85 O'Riordan Street, Alexandria NSW 2015

Tel: +61 (02) 8073 3310

Fax: +61 (02) 8073 3320

Email: info@idealairgroup.com.au

AMS

11 Ingrid Road, Montague Gardens,
7442 Cape Town, Western Cape

Tel: +27 (0) 21 552 1077

Fax: +27 (0) 21 552 2797

HVWC Inst Issue 1: 11.12.15

A member of

ELTA
GROUP LIMITED