

## features & benefits

### Centrifugal fan for duct mounting

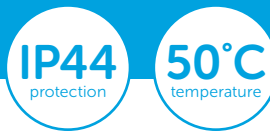
For apartments, hotels, bathroom, utility or kitchen

3 speed motors high, medium and low

Single phase 220V to 240V 50Hz or 60Hz

# HIT

## Centrifugal Fan



## HIT

	Speed	r/min	Airflow m <sup>3</sup> /s @ Static Pressure Pa.								Overall Eff. %	FMEG	kW	FLC	dBA @ 3m	Price	Price Easi	
			0	100	200	250	300	350	400	450								500
<b>HIT100</b>	High	2720	0.061	0.049	0.036	0.027	0.015	0.002			14.2	<125W	0.061	0.26	46			
	Med	2570	0.053	0.041	0.029	0.020	0.011			14.4	<125W	0.061	0.26	44	£54.00	£86.00		
	Low	2430	0.043	0.033	0.022	0.013	0.007			12.0	<125W	0.061	0.26	42				
<b>HIT125</b>	High	2690	0.095	0.068	0.044	0.031	0.013			16.2	<125W	0.066	0.29	47				
	Med	2550	0.077	0.053	0.033	0.021	0.005			15.3	<125W	0.066	0.29	44	£57.00	£90.00		
	Low	2410	0.059	0.037	0.024	0.013				12.2	<125W	0.066	0.29	38				
<b>HIT150</b>	High	2590	0.130	0.108	0.078	0.060	0.039	0.001			15.9	<125W	0.065	0.28	47			
	Med	2320	0.112	0.081	0.051	0.036	0.015			20.7	<125W	0.065	0.28	44	£59.00	£93.00		
	Low	2180	0.090	0.049	0.029	0.017				13.1	<125W	0.065	0.28	38				
<b>HIT160</b>	High	2500	0.129	0.104	0.075	0.058	0.034	0.006			25.0	<125W	0.064	0.28	47			
	Med	2170	0.110	0.081	0.047	0.028	0.009			20.2	<125W	0.064	0.28	44	£61.00	£95.00		
	Low	2030	0.098	0.062	0.031	0.016	0.005			15.1	<125W	0.064	0.28	38				
<b>HIT200</b>	High	2520	0.254	0.225	0.187	0.165	0.139	0.109	0.075	0.038	28.1	N46	0.159	0.71	51			
	Med	2315	0.220	0.165	0.109	0.089	0.071	0.054			18.4	N46	0.159	0.71	47	£90.00	£115.00	
	Low	1420	0.189	0.073	0.059					5.7	N46	0.159	0.71	42				
<b>HIT250</b>	High	2400	0.269	0.236	0.194	0.170	0.144	0.116	0.089	0.061	0.035	24.7	N43	0.182	0.79	52		
	Med	2290	0.229	0.182	0.103	0.086	0.072	0.059	0.046			15.3	N43	0.182	0.79	49	£102.00	£125.00
	Low	1380	0.194	0.075	0.055	0.048	0.041	0.033			5.5	N43	0.182	0.79	44			
<b>HIT250B</b>	High	2390	0.311	0.268	0.208	0.173	0.141	0.115	0.090	0.066	0.040	25.2	N43	0.182	0.79	52		
	Med	2300	0.241	0.144	0.093	0.078	0.066	0.054	0.043	0.030		16.1	N43	0.182	0.79	47	£108.00	£131.00
	Low	2090	0.190	0.077	0.051	0.043	0.035	0.028	0.021			9.8	N43	0.182	0.79	41		
<b>HIT315</b>	High	2270	0.312	0.262	0.191	0.158	0.128	0.099	0.071	0.045	0.021	22.2	N40	0.184	0.80	56		
	Med	2010	0.260	0.148	0.090	0.072	0.056	0.041	0.027			13.0	N40	0.184	0.80	51	£124.00	£143.00
	Low	1840	0.217	0.073	0.038	0.029						6.8	N40	0.184	0.80	46		
<b>HIT315B</b>	High	2230	0.517	0.457	0.369	0.313	0.261	0.219	0.183	0.152	0.124	29.5	N45	0.275	1.19	56		
	Med	2250	0.485	0.399	0.267	0.222	0.187	0.157	0.130			24.5	N45	0.275	1.19	54	£129.00	£174.00
	Low	2140	0.449	0.344	0.200	0.167	0.140	0.115	0.090			20.1	N45	0.275	1.19	52		

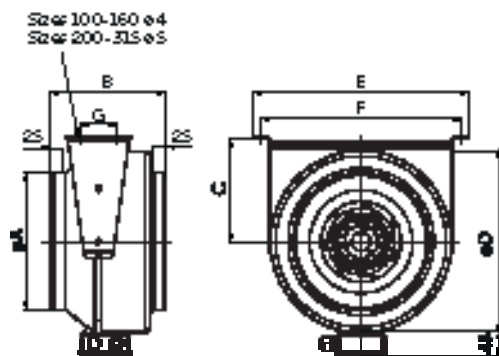
Overall total efficiency, r/min and FMEG values are as per ISO 12759 installation category "D". Contact the office for 60Hz performance data. For EASI models add SP to the product code.

## HIT with easi cable



Ready to run EASI models, supplied with 1.5 metres of cable, and fitted with a 13amp 3 pin plug.

## dimensional drawing



Dimensions in mm.

## dimensions

	A	B	C	D	E	F	G	Weight (kg)
100	98	204	130	236	284	270	47	3.7
125	123	204	130	236	284	270	47	3.7
150	148	193	130	236	326	312	47	3.6
160	158	195	165	278	326	312	47	3.6
200	198	195	165	278	392	372	100	5.5
250	248	210	190	333	392	372	100	5.3
315	313	265	227	400	460	440	100	8.8

Dimensions in mm.

## accessories

	Flexible Duct	Fast Clamps	Backdraught Dampers	Single Phase Electronic Controller	Single Phase 3 Speed Controller	Single Phase Transformer Voltage Controller
HIT100	HFD100X3	HFCLP100	HBS100	HFC1.7	HFT1.7	TC012
HIT125	HFD125X3	HFCLP125	HBS125	HFC1.7	HFT1.7	TC012
HIT150	HFD150X3	HFCLP150	HBS150	HFC1.7	HFT1.7	TC012
HIT160				HFC1.7	HFT1.7	TC012
HIT200	HFD200X3	HFCLP200	HBS200	HFC1.7	HFT1.7	TC012
HIT250(B)		HFCLP250	HBS250	HFC1.7	HFT1.7	TC012
HIT315(B)		HFCLP315	HBS315	HFC1.7	HFT1.7	TC012