

## features & benefits

### Axial flow fan for wall / ceiling mounting

For use in the bathroom, utility or kitchen

Shockproof, heat resistant ABS UV resistant plastic, finished in white (RAL 9010)

Single phase 220V to 240V 50Hz or 60Hz

# HQIN

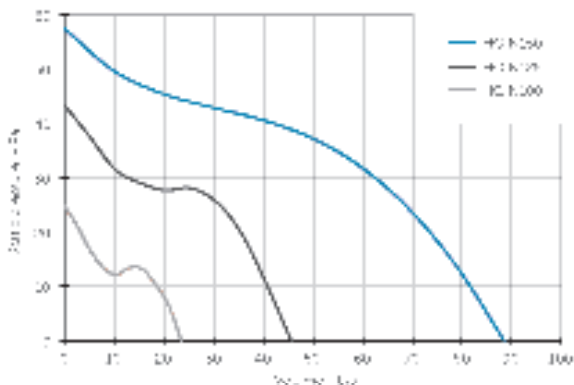
## Axial Flow Fan



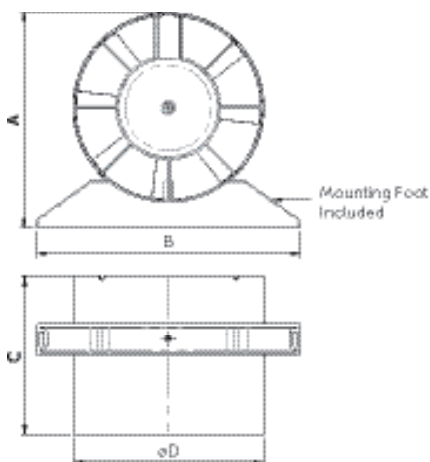
**IPX4**  
splashproof

**50°C**  
temperature

## curves



## dimensional drawing



## product information

	HQIN			
	100	125	150	
Airflow (L/s) max	23.5	45.7	88.6	
Static Pressure (Pa) max	24	43	57	
Power (W) max	8	14	24	
Sound Pressure (dBA @ 3m)	34	39	45	
Ambient Temperature (°C) max	50	50	50	
Price - Standard	<b>HQIN###</b>	£23.00	£29.00	£33.00
Price - Timer	<b>HQIN###T</b>	£35.00	£42.00	£46.00

Replace ### with required size.

## dimensions

	100	125	150
A	113	137	165
B	115	165	165
C	90	100	115
øD	99	120	148
Weight (kg)	0.37	0.51	0.88

Dimensions in mm.

## accessories

		100	125	150
Fixed Grille		HEG100	HEG125	HEG150
External Gravity Shutters		HES100	HES125	HES150
Wall Sleeve		HWS100	HWS125	HWS150
Internal Extract Valve		HEV100	HEV125	HEV150
Internal Supply Valve		HSV100	HSV125	HSV150
3m Flexible Aluminium Duct		HFD100X3	HFD125X3	HFD150X3
Mounting Foot	Code	HQIN100MF	HQIN125MF	HQIN150MF
	Price	£3.30	£3.63	£4.35