

features & benefits

Centrifugal extract fan for wall / ceiling mounting

For use in the bathroom

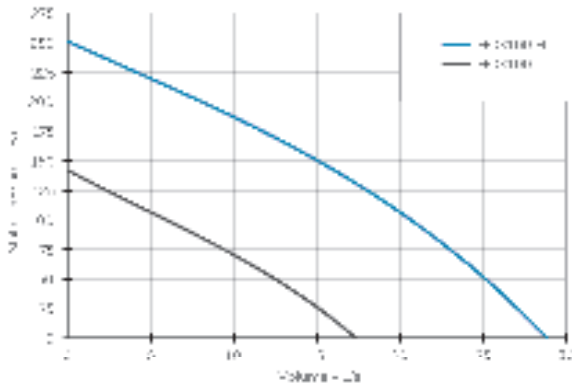
Aesthetic front cover and filter (Easily removed for cleaning)

Shockproof, heat resistant ABS UV resistant plastic, finished in white (RAL 9010)

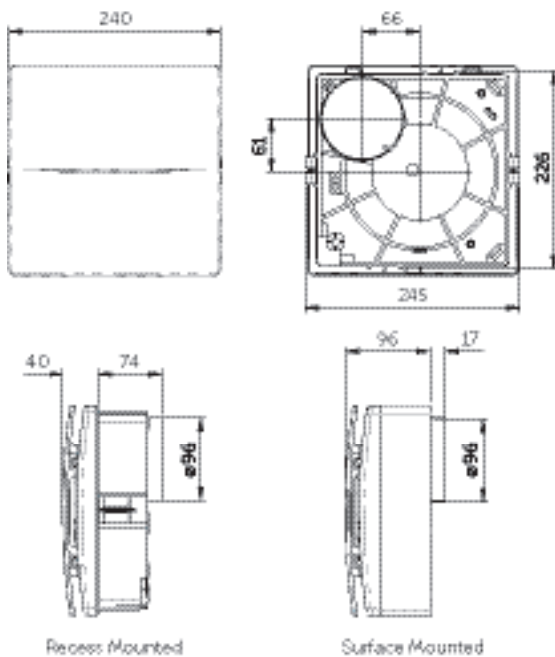
Long life ball bearings for trouble free operation

Single phase 220V to 240V 50Hz or 60Hz

curves



dimensional drawing



Dimensions in mm.

HQX

Centrifugal Extract Fan

IPX4
splashproof

50°C
temperature



product information


		HQX
		100
Airflow (L/s) max	High	28.8
	Low	17.3
Static Pressure (Pa) max	High	250
	Low	141
Power (W) max	High	28
	Low	17
Sound Pressure (dBA @ 3m)	High	38
	Low	27
Ambient Temperature (°C) max		50
Weight (kg)		1.88
Price - Standard	HQX100	£73.00
Price - Timer	HQX100T	£86.00

accessories

		100
Ceiling Gasket		HCGX100
Fixed Grille		HEG100
External Gravity Shutters		HES100
Wall Sleeve		HWS100
Telescopic Pipe		HTP100
3m Flexible Aluminium Duct		HFD100X3

See pages 53 - 56 for accessory prices.

accessories

		100
 Filter		HQXF100
Price		£1.50