

features & benefits

Axial flow fan heater

Three position switch, fan/heat, off, fan only

Full heat and half heat settings

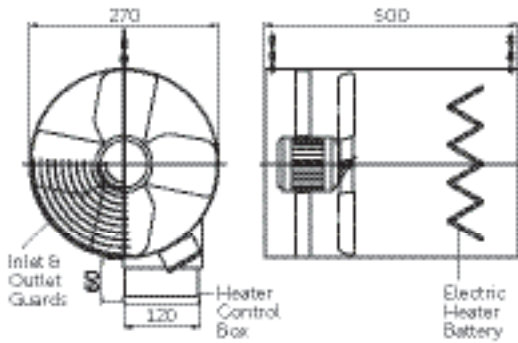
Stainless steel casing, with suspension eyes

Thermostat +3°C to +30°C with remote temp. sensor

Ready to run, supplied with 1.5 metres of cable, and fitted with a 13amp 3 pin plug

Single phase 220V to 240V 50Hz

dimensional drawing



Dimensions in mm.

HTH

Axial Flow Fan



Fan
heater

50°C
temperature

product information

	HTH
	2.7
Fan Diameter (mm)	270
Air Flow (m ³ /s)	0.25
Heat Output (kW)	1.3 / 2.6
FLC (Amps)	12
Weight (kg)	6.1
Price	HTH2.7 £342.00