

features & benefits

High quality recirculation fans

Can be mounted at any angle

Stainless steel or Alu-Zinc casings supplied with suspension eyes for ease of mounting

Single phase 220V to 240V 50Hz

HTS

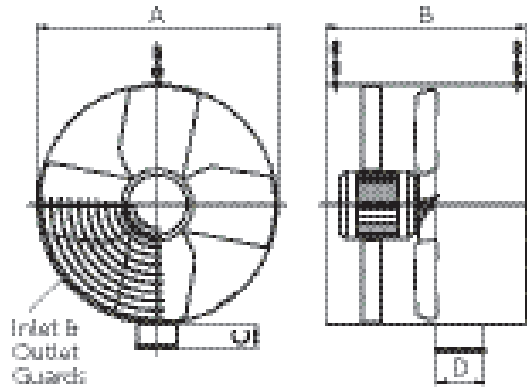
Recirculation Fan



IP55
protection

50°C
temperature

dimensional drawing



product information

	HTS			
	400	450	500	630
Speed (r/min)	1400	1400	900	900
Air Flow (m ³ /s)	1.27	1.70	1.37	2.86
Throw (metres)	35-40	40-45	40-45	45-50
Sound Level (dBA @ 3m)	62	64	56	60
Power (W)	180	280	90	280
FLC (Amps)	1.60	1.90	1.40	2.10
Price	HTS### £254.00	£259.00	£264.00	£360.00


Replace ### with required size.

dimensions

	450	450	500	630
A	400	460	510	660
B	420	420	420	420
C	75	75	70	70
D	115	115	115	115
Weight (kg)	13	15	16	29

Dimensions in mm.

accessories

	400	450	500	630
 VMRD Controller	E4521A023	E4521A023	E4521A023	E4521A035
Control Method	Manual Speed Control			
Current (Amps)	2.3	2.3	2.3	3.5
Price	£129.00	£129.00	£129.00	£129.00