

## features & benefits

### High efficiency belt drive fan

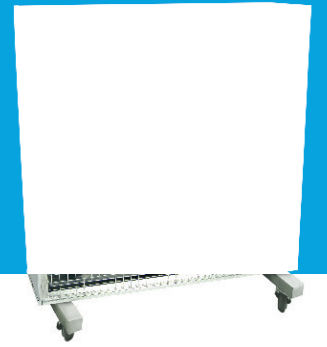
Extracts stale and humid air from the building  
 Fitted with a mesh safety guard on both sides  
 3 step speed switch for increased energy  
 Fitted with lockable wheels and handles  
 Single phase 220V to 240V 50Hz

# HVM

## Portable Belt Drive Fan

**IP55**  
protection

**50°C**  
temperature



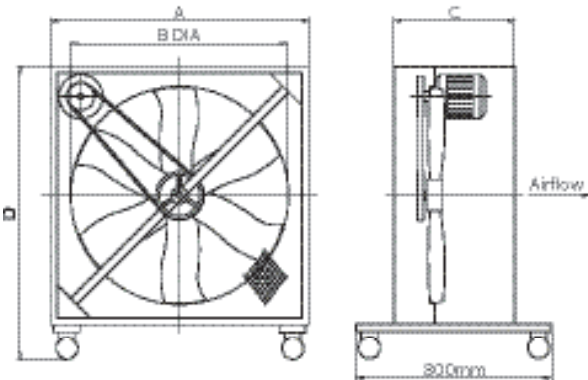
## SINGLE Phase

220V to 240V / 50Hz

	Speed r/min	Airflow m <sup>3</sup> /s @ Static Pressure Pa.					Motor Electrical Data			Sound Level (dBA @ 3m)	Price	
		0	20	40	60	80	100	Power (W)	FL (Amps)			Start (Amps)
<b>HVM800</b>	630	4.588	4.091	3.589	2.840			750	4.5	14.3	58	£885.00
<b>HVM1000</b>	520	7.096	6.447	5.550	4.296	3.139	1.827	750	5.4	14.9	59	£945.00
<b>HVM1250 (1.1 kW)</b>	400	11.002	9.578	8.030	6.190	4.028		1100	7.2	25.7	60	£1055.00

\*For 110V detail please contact Hydor

## dimensional drawing



## dimensions

	A	B	C	D	Weight (kg)
HVM800	925	800	383	1075	49
HVM1000	1125	1000	383	1275	64
HVM1250	1375	1250	416	1525	90

Dimensions in mm.