

features & benefits

Wall mounted air circulation fan

Ideal for industrial, commercial and agricultural applications

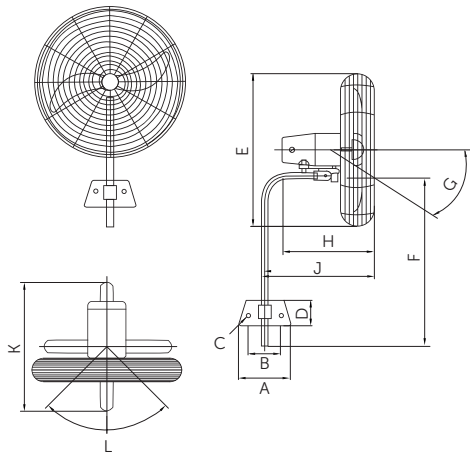
Adjustable airflow direction

3 speed settings

Black meshed guard for protection

Single phase 220V to 240V 50Hz

dimensional drawing



Dimensions in mm.

HWFA

Wall Mounted Air Circulation Fan



90°
turning arc

45°C
operation

product information

	HWFA		
	Low	Med	High
Speed (r/min)	890	1050	1380
Duty (m ³ /s)	1.83	2.83	3.83
Power (W)	130	140	170
Full Load Current (A)	0.56	0.62	0.80
Sound Level (dBA @ 3m)	46	50	59
Maximum Tilt (°)	30	30	30
Weight (kg)	14.3	14.3	14.3
Price	HWFA650	£159.00	