

## features & benefits

6 standard sizes from 450mm to 800mm

Volume up to 5.4m<sup>3</sup>/s

Highly efficient, lightweight induction motors

Suitable for A or B airflows

Fully speed controllable

Single phase 220V to 240V or Three phase 380V to 415V 50Hz

# HXP Plate Fan



IP55  
protection

55°C  
temperature

## SINGLE Phase

220V to 240V / 50Hz

	Speed r/min	Airflow m <sup>3</sup> /s @ Static Pressure Pa.						Overall Eff. %	FMEG	Input kW	FLC	dBA @ 3m	Price
		0	25	50	75	100	150						
<b>HXP45041#</b>	1347	1.833	1.725	1.581	1.421	1.256	32.1	N40	0.416	1.91	54	£268.00	
<b>HXP45061#</b>	962	1.329	1.190	0.996			29.3	N40	0.184	0.85	48	£268.00	
<b>HXP50041#</b>	1379	2.204	2.097	1.968	1.813	1.626	32.8	N40	0.543	2.53	57	£273.00	
<b>HXP50061#</b>	954	1.623	1.463	1.257	0.941		35.0	N45	0.206	0.91	45	£273.00	
<b>HXP63061#</b>	924	3.365	3.163	2.934	2.677	2.355	37.0	N44	0.654	3.12	52	£319.00	
<b>HXP71061#</b>	913	3.982	3.675	3.294	2.784		32.6	N40	0.663	3.11	59	£353.00	
<b>HXP80061#</b>	914	5.450	4.989	4.544	4.073	3.477	36.3	N42	0.963	4.22	62	£360.00	

Overall static efficiency, r/min and FMEG values are as per ISO 12759 installation category "A". FLC Amps @ 230V / 1Ph / 50Hz. # Add A or B for airflow when ordering.

## THREE Phase

380V to 415V / 50Hz

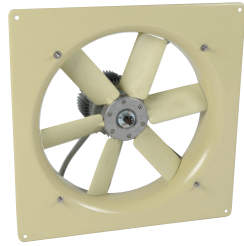
	Speed r/min	Airflow m <sup>3</sup> /s @ Static Pressure Pa.						Overall Eff. %	FMEG	Input kW	FLC	dBA @ 3m	Price
		0	25	50	75	100	150						
<b>HXP45043#</b>	1435	1.850	1.754	1.647	1.526	1.387	1.037	36.3	N44	0.433	1.08	57	£268.00
<b>HXP45063#</b>	945	1.276	1.111	0.904				29.5	N40	0.163	0.64	48	£268.00
<b>HXP50043#</b>	1372	2.701	2.569	2.431	2.281	2.111	1.616	34.6	N41	0.712	1.36	57	£273.00
<b>HXP50063#</b>	926	1.654	1.469	1.246	0.879			33.4	N44	0.211	0.68	44	£273.00
<b>HXP56043#</b>	1322	3.344	3.175	2.996	2.810	2.614	2.134	35.6	N42	0.916	1.60	57	£296.00
<b>HXP56063#</b>	872	2.254	1.985	1.689				31.5	N41	0.294	0.74	46	£296.00
<b>HXP63063#</b>	912	3.323	3.010	2.689	2.301			36.6	N44	0.493	1.21	53	£319.00
<b>HXP63083#</b>	688	2.233	1.826	1.296				29.7	N40	0.222	0.77	46	£319.00
<b>HXP71063#</b>	862	4.498	4.138	3.678	3.117			35.4	N42	0.689	1.41	58	£353.00
<b>HXP80063#</b>	896	5.042	4.620	4.177	3.687	3.007		42.0	N49	0.724	1.54	61	£360.00

Overall static efficiency, r/min and FMEG values are as per ISO 12759 installation category "A". FLC Amps @ 400V / 3Ph / 50Hz. # Add A or B for airflow when ordering.

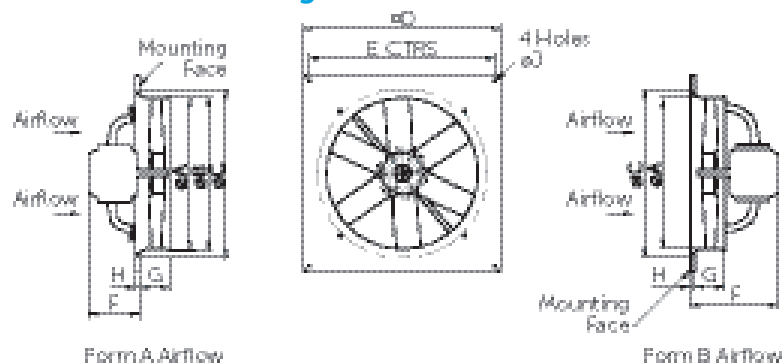
## A airflow



## B airflow



## dimensional drawing



## dimensions

	A	B	C	D	E	F(A)	F(B)	G	H	J	Weight (kg)
HXP45041	450	462	500	575	535	157	269	95	15	10	15
HXP45043	450	462	500	575	535	186	299	95	15	10	15
HXP45061	450	462	500	575	535	173	286	95	15	10	15
HXP45063	450	462	500	575	535	173	286	95	15	10	15
HXP50041	500	512	560	655	615	182	305	100	15	10	19
HXP50043	500	512	560	655	615	182	305	100	15	10	19
HXP50061	500	512	560	655	615	169	293	100	15	10	20
HXP50063	500	512	560	655	615	169	293	100	15	10	20
HXP56043	560	577	620	725	670	182	321	100	15	10	22
HXP56063	560	577	620	725	670	169	323	100	15	10	22
HXP63061	630	647	700	805	750	189	328	105	20	10	30
HXP63063	630	647	700	805	750	189	328	105	20	10	30
HXP63083	630	647	700	805	750	187	326	105	20	10	30
HXP71061	710	725	765	850	810	204	341	103	27	10	30
HXP71063	710	725	765	850	810	191	328	103	27	10	30
HXP80061	800	817	880	973	910	202	353	105	30	10	35
HXP80063	800	817	880	973	910	202	354	105	30	10	35

Dimensions in mm.

## accessories

	Louvre Shutters	Single Phase Electronic Controller	Single Phase Transformer Voltage Controller	Three Phase Transformer Voltage Controller (5 Step)
HXP4504#	HLVS450	HFC3.0	TC014	TC033
HXP4506#	HLVS450	HFC1.7	TC012	TC033
HXP5004#	HLVS500	HFC3.0	TC014	TC035
HXP5006#	HLVS500	HFC1.7	TC012	TC033
HXP5604#	HLVS560			TC033
HXP5606#	HLVS560	HFC1.7	TC012	TC033
HXP6306#	HLVS630	HFC6.0	TC014	TC033
HXP6308#	HLVS630			TC033
HXP7106#		HFC6.0	TC014	TC033
HXP8006#		HFC6.0	TC018	TC033

ISSUE 1. FEB 2017.