

features & benefits

Axial flow fan for window / wall / ceiling mounting

For use in the bathroom, utility or kitchen

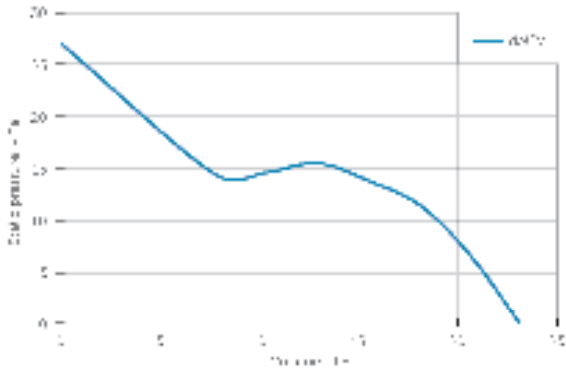
Highly efficient EC motor - optimised for continuous running (2.5W max) power consumption

Aesthetic front cover (Easily removed for cleaning)

Shockproof, heat resistant ABS UV resistant plastic, finished in white (RAL 9010)

Single phase 220V to 240V 50Hz

curves

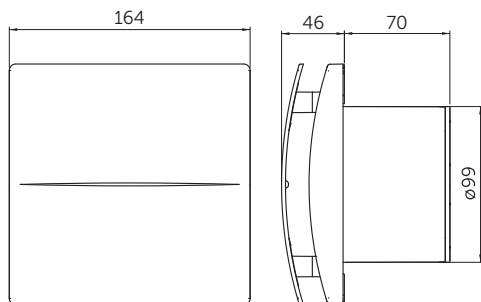


test results (constant flow)

Model	Unit Configuration	Location	Fan Speed Setting L/s	SFP W/(L/s)	Flow Rate L/s	Flow Rate - Wind Condition L/s
dMEV100 Rigid Duct Applications	In Room	Kitchen	13	0.13	13.2	12.8
	In Room	Wet Room	8	0.11	8.0	7.5
	Through Wall	Kitchen	13	0.09	13.9	13.4
	Through Wall	Wet Room	8	0.10	8.7	7.8
dMEV100 Flexible Duct Applications	In Room	Kitchen	13	0.13	13.2	12.6
	In Room	Wet Room	8	0.12	8.3	8
	Through Wall	Kitchen	13	0.09	13.9	13.4
	Through Wall	Wet Room	8	0.10	8.7	7.8

The NCM (SAP) identifier for this product is: **Technology Type** Ventilation, **Technology Category** dMEV, **Brand Name** Hydor, **Model Name** dMEV100, **Model Qualifier** 005714.

dimensional drawing



Dimensions in mm.

ISSUE 1. FEB 2017.

dMEV

Axial Flow Fan



product information

		dMEV
		100
Airflow (L/s) max	Boost	23.1
	Trickle	6 / 8 / 13
Static Pressure (Pa) max		27
Power (W) max		2.5
Sound Pressure (dBA @ 3m)	Boost	32
	Trickle	11 / 13 / 23
Ambient Temperature (°C) max		50
Weight (kg)		0.60
Price - Manual	dMEV100M	£95.00
Price - Timer	dMEV100T	£109.00
Price - Constant Flow	dMEV100	£120.00

accessories

		100
Ceiling Gasket		HCG100
Fixed Grille		HEG100
External Gravity Shutters		HES100
Window Kit with External Fixed Grille		HWKG100
Window Kit with External Gravity Shutters		HWKS100
Wall Sleeve		HWS100
Telescopic Pipe		HTP100
3m Flexible Aluminium Duct		HFD100X3